

The NAPA Primer

a Guide to Reuse your Solutions

NAPA Version 4.00

Yves Leduc.



Table of Contents

TABLE OF CONTENTS.....	2
INTRODUCTION.....	5
BUILT-IN EXTENSION HOOKS.....	6
CELLS.....	8
WHEN?.....	8
A FIRST EXAMPLE.....	8
A SECOND EXAMPLE.....	10
ADVANCED USERS.....	11
HOW IT WORKS.....	13
DATA CELLS.....	15
WHEN?.....	15
A FIRST EXAMPLE.....	15
A SECOND EXAMPLE.....	19
HOW IT WORKS.....	24
GENERATORS.....	27
WHEN?.....	27
A FIRST EXAMPLE.....	27
HOW IT WORKS.....	30
ADVANCED USERS.....	30
USER-DEFINED C MACROS.....	31
WHEN?.....	31
A FIRST EXAMPLE.....	31
A SECOND EXAMPLE.....	31
HOW TO DEFINE A DEFAULT VALUE?.....	32
USER-DEFINED C FUNCTIONS.....	33
WHEN?.....	33
A FIRST EXAMPLE.....	33
A SECOND EXAMPLE.....	33
METHODOLOGY.....	34
HOW IT WORKS.....	35
“ALGEBRA”, “DALGEBRA”, “IALGEBRA”.....	36
WHEN?.....	36
AN EXAMPLE.....	36
HOW IT WORKS.....	38
“NAPA_INIT()”, “NAPA_CLOSE()”.....	39
WHEN?.....	39
AN EXAMPLE.....	39
HOW IT WORKS.....	40
“NAPA_LOOP_OPTION(INT)”.....	41
WHEN?.....	41
AN EXAMPLE.....	41

HOW IT WORKS?.....	42
“INIT”, “CALL”	43
WHEN?.....	43
AN EXAMPLE.....	43
HOW IT WORKS.....	44
“DUSER”, “IUSER”	46
WHEN?.....	46
A FIRST EXAMPLE.....	46
A SECOND EXAMPLE.....	48
HOW IT WORKS.....	50
ADVANCED USERS: OPTIONS.....	52
“DTOOL”, “ITool” OR “TOOL”	52
WHEN?.....	52
AN EXAMPLE.....	52
HOW IT WORKS.....	57
ADVANCED USERS.....	59
“POST”	59
WHEN?.....	59
AN EXAMPLE.....	59
HOW IT WORKS.....	61
ADVANCED USERS.....	62
OPTIONS.....	63
WHEN?.....	63
AN EXAMPLE.....	63
HOW IT WORKS.....	64
MULTIPLE OUTPUT USER’S FUNCTIONS.....	67
WHEN?.....	67
AN EXAMPLE.....	67
.....	70
HOW IT WORKS.....	70
PASSING PARAMETERS BY ADDRESSES.....	71
WHEN?.....	71
AN EXAMPLE.....	71
HOW IT WORKS.....	72
CONCLUSION.....	75

Introduction

NAPA is open to extensions. This guide describes how users can customize the simulator to their own applications and how they can build libraries of REUSABLE SOLUTIONS. Several examples are given and commented.

We encourage the users to build
libraries of reusable solutions and
make them available to others.



Built-in extension hooks

Several hooks are built-in to extend *NAPA*. Customization is allowed at several levels:

1. at the netlist level, using Cells or Data Cells
2. at the netlist level, using Generators
3. in *C* expressions, by using a User-Defined *C* functions
4. at the node level, using node “*algebra*”, “*dalgebra*” or “*ialgebra*”
1. adding code to functions ‘*napa_init()*’, ‘*napa_close()*’ and *napa_loop_option()*’
2. at the variable level, using *C* functions through “*init*” and “*call*”
3. at the node level using node “*iuser*” or “*duser*”
4. at the output level using instruction “*post*”
5. at the node level using node “*itool*” or “*dtool*” or instruction “*tool*”

It is important to understand what type of solution to choose and where to place the code. This booklet will explain in details how the *NAPA* simulator interacts with the user-defined extensions and how to build solutions as powerful and as user-friendly as possible. Depending on the choice, the effort and the return of investment vary largely:

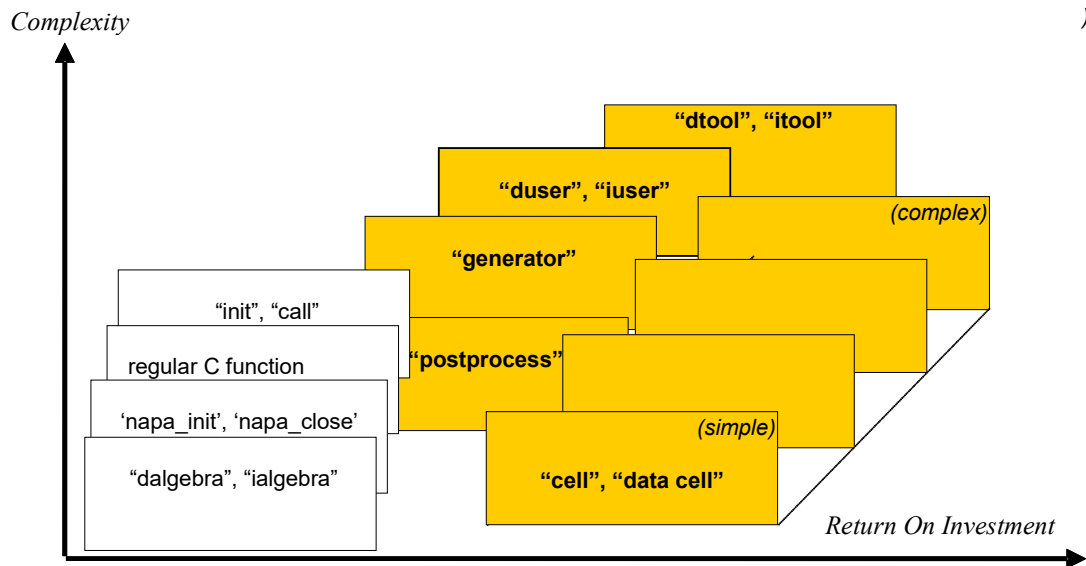


Figure 2 - Return On Investment

NOTE:

There is a general rule to remember. During the parsing, the *NAPA* compiler has full access to the content of the netlists (main file, cells or data cells), but it has no way to parse the content of the header files. Using macro definitions, the *C* simulator built by the *NAPA* compiler is able to communicate information to the header files. With proper switches, the macro-preprocessor is able to configure the code located inside the header files. But there is no way to obtain from the *NAPA* compiler the smallest understanding of what is inside the header files. Therefore, the building of the *C* code of the simulator itself cannot be affected by the code of these headers. We will see that this unidirectional flow of information does not limit the power of the simulators we are building.

Please refer to the *NAPA* user's guide for further information (instructions, primitives, syntax, ...) concerning the *NAPA* compiler.

START

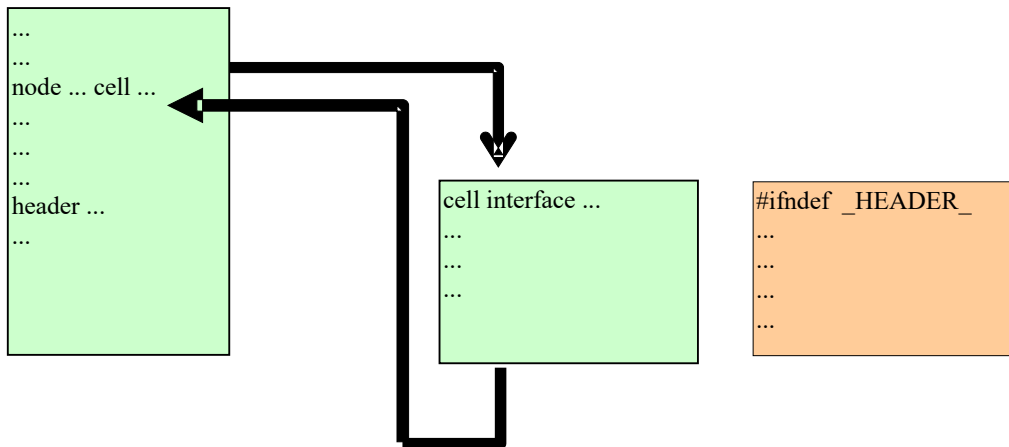


Figure 3 - Cells are parsed by NAPA, Headers are not!

Cells

The user can describe a reusable netlist using the pseudo-node “*cell*”. The cell is instantiated building a hierarchical description. There is virtually no limit to hierarchical depth, as long as it makes sense to do it.

WHEN?

You should consider partitioning your netlist if your problem can be described as a set of existing *NAPA* primitives (like nodes, variables...) and it represents a solution reusable immediately (multiple instantiations in your netlist) or is generic enough to be possibly reused in the future.

Collect the reusable network and write a *cell* (pseudo-node “*cell*”). The cell is ideally suited to describe the topology of the structure. As a same cell could describe several variants differing only by the values of their parameters, it is sometimes preferable to move the values of the cell parameters to a specialized primitive, the “*data cell*” (the “*data cell*” is described in next chapter).

A FIRST EXAMPLE

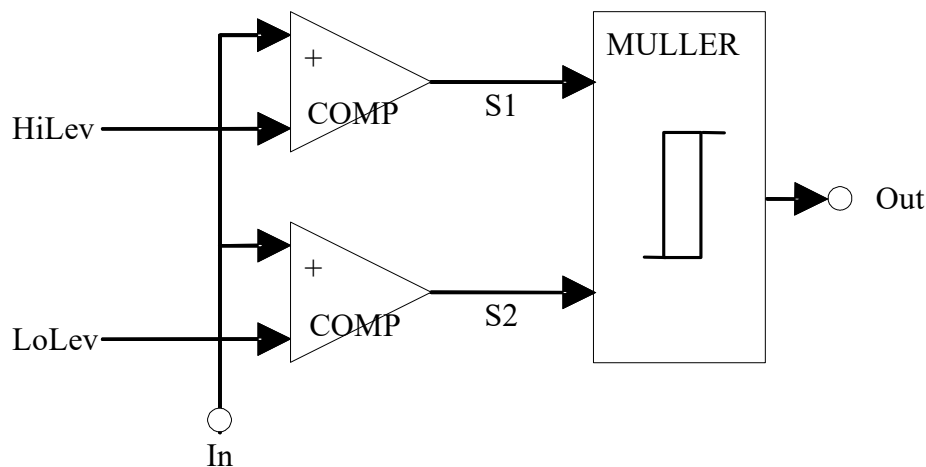


Figure 4 - The hysteresis comparator

[file “hyst.net”]

```
cell interface $out $in $hilev $lolev
declare () $in $hilev $lolev
/* single ended synchronous hysteresis comparator
node $s1 comp $in $hilev
node $s2 comp $in $lolev
node $out muller $s1 $s2 // digital hysteresis
```

This cell is described in a file, “hyst.net”, which will be placed either in the project directory, if we consider that this is not a generic cell, or in the user’s directory or the team’s cell directory to be available for other applications. Declaration is used to document the cell and for better error messages if any.

The cell can be used in another cell or inside a main netlist:

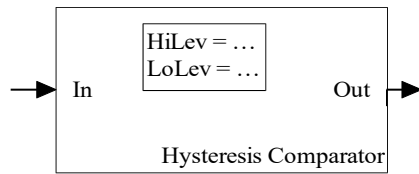


Figure 5 - The hysteresis comparator as a cell
[file "ex01.nap"]

```

title "the hysteresis comparator"

header <napa.hdr>

fs 1.0e6

dvar freq 1000.0

node s1 sin 0.0 1.0 freq 0.0
node s2 cell cmph "hyst.net" s1 0.20 0.30

output "stdout" s1 s2
terminate TIME > (1.50 / freq)

```

The *NAPA* compiler parses the cell in a process totally transparent to the user. However, there is a way to understand how this parsing is made thanks to an option of the compiler. Option '-e' asks for an expansion of the netlist without compilation (this option exists only for this purpose):

```
% NAPA ex01.nap -e > ex01a.nap
```

The resulting netlist "ex01a.nap" contains:

```

[file ex01a.nap]

/* ***** EXPANSION OF FILE ex01.nap ***** START ***** */

title "the hysteresis comparator"
header <napa.hdr>
fs 1.0e6
dvar freq 1000.0
node s1 sin 0.0 1.0 freq 0.0}

/* >>> node s2 cell cmph "hyst.net" s1 0.20 0.30

declare () s1 0.20 0.30
node cmph__s1 comp s1 0.20
node cmph__s2 comp s1 0.30
node s2 muller cmph__s1 cmph__s2

/* <<<

output "stdout" s1 s2
terminate TIME > (1.50 / freq)

/* ***** EXPANSION OF FILE ex01.nap ***** END ***** */

```


In this example, the flattening process is straightforward. The output of the simulation is:

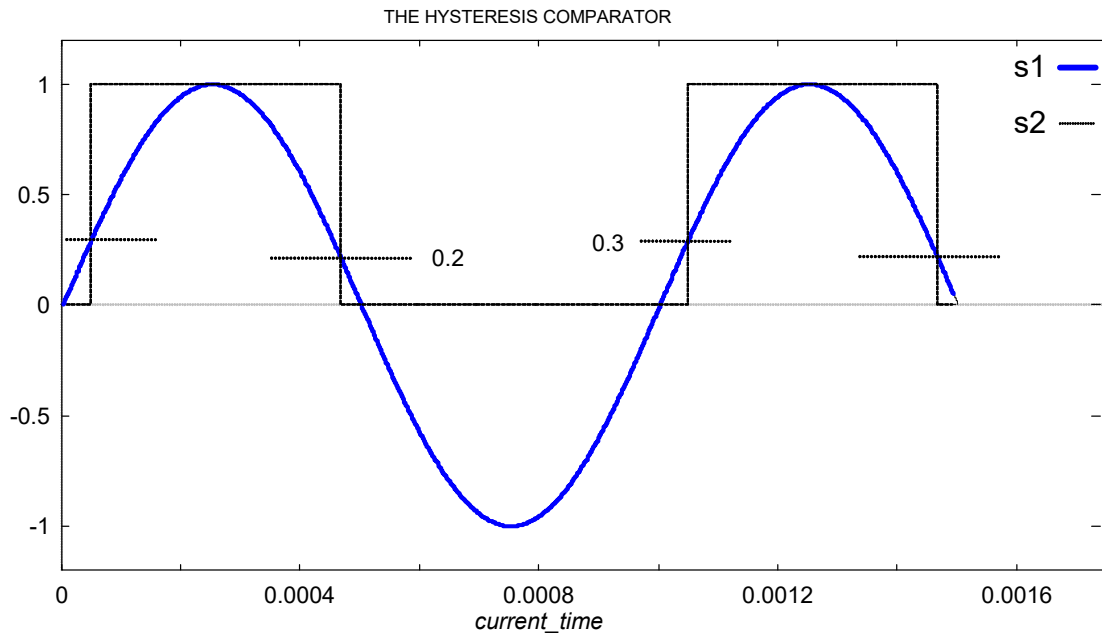


Figure 6 - The simulation of the hysteresis comparator

A SECOND EXAMPLE

The previous example shows a cell with a single output. If we have to describe a more complex cell with multiple outputs, it is recommended to follow another syntax:

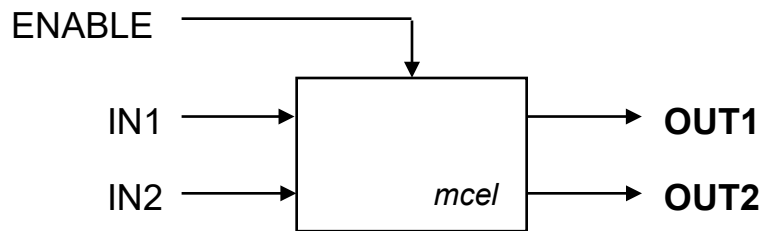


Figure 7 - an example of cell with multiple outputs

```

                                                                    [file mcel.net"]
cell interface $unused $out1 $out2 $enable $in1 $in2

/* this cell has 3 inputs and 2 outputs

node $s1    and  $enable $in1
node $s2    and  $enable $in2
node $out1  nor  $s1 $s2
node $out2  nand $s1 $s2
    
```

Here is an example of an instantiation of this cell. Note the usage of the specific identifier “*void*” corresponding to the dummy formal parameter “\$unused” of the cell. This style is not mandatory but stresses the fact that the cell has multiple outputs.

[file “ex02.nap”]

```
header <napa.hdr>
fs 100.0e3
node a clock "10"
node b clock "1100"
node e clock "11110000"
node void cell pls "mcel.net" c d e a b
output "stdout" c d e a b
terminate LOOP_INDEX > 16LL
```

Again we will have a look to the flattened description:

```
% NAPA ex02.nap -e > ex02a.nap
```

The resulting netlist contains:

[file “ex02a.nap”]

```
## ***** EXPANSION OF FILE ex02.nap ***** START ***** ##
header <napa.hdr>
fs 100.0e3
node a clock "10"
node b clock "1100"
node e clock "11110000"
## >>> node void cell pls "mcel.net" c d e a b
node pls__s1 and e a
node pls__s2 and e b
node c nor pls__s1 pls__s2
node d nand pls__s1 pls__s2
## <<<
output "stdout" c d e a b
terminate LOOP_INDEX > 16LL
## ***** EXPANSION OF FILE ex02.nap ***** END ***** ##
```

ADVANCED USERS

The way the compiler flattens the cell opens the door to several surprising variants. The compiler behaves like a macro-preprocessor. At the cell opening, it creates a table of correspondence between the instantiation parameters and the formal parameters of the cell (parameter beginning by the character “\$”). During the parsing, the table is used to replace every formal parameter by its corresponding instantiation value. This cell preprocessing is not limited by any syntax checks. It is therefore possible to replace -any token- of the cell!

It is for instance perfectly legal to write a cell like:

[file "mycel.net"]

```
cell interface $out $in1 $in2 $function
## polymorphic node: node kind is a parameter of the cell
node $out $function $in1 $in2
```

The cell could be used in the netlist:

[file "ex03.nap"]

```
header <napa.hdr>
fs 1.0e6
node a sin      0.0 1.0 1000.0 0.0
node b triangle 0.5 0.5 1234.0 9.87e-6
node out1 cell pls1 "mycel.net" a b prod
node out2 cell pls2 "mycel.net" a b sum
output "stdout" a b out1 out2
terminate TIME > 0.002
```

To check how the compiler processes this netlist, we ask again for the flattened description:

```
% NAPA ex03.nap -e > ex03a.nap
```

The resulting file contains:

[file "ex04a.nap"]

```
## ***** EXPANSION OF FILE ex03.nap ***** START ***** ##
header <napa.hdr>
fs 1.0e6
node a sin      0.0 1.0 1000.0 0.0
node b triangle 0.5 0.5 1234.0 9.87e-6
## >>> node out1 cell pls1 "mycell.net" a b prod
node out1 prod a b
## <<<
## >>> node out2 cell pls2 "mycell.net" a b sum
node out2 sum a b
## <<<
output "stdout" a b out1 out2
terminate TIME > 0.002
## ***** EXPANSION OF FILE ex03.nap ***** END ***** ##
```

The node kind is correctly replaced by the value given at the cell instantiation. The cell preprocessing brings up unexpected capabilities!

There is however a limitation: the resulting flattened netlist must be syntactically correct.

HOW IT WORKS

The parser builds a correspondence between the parameters of the instantiation (pseudo node “*cell*”) and the parameters of the cell interface. The instantiation name is used to construct a prefix. This prefix is built from the instantiation name preceded by the current prefix. The current prefix is a cascade of prefixes reflecting the hierarchy (null if the cell is instantiated from the main netlist).

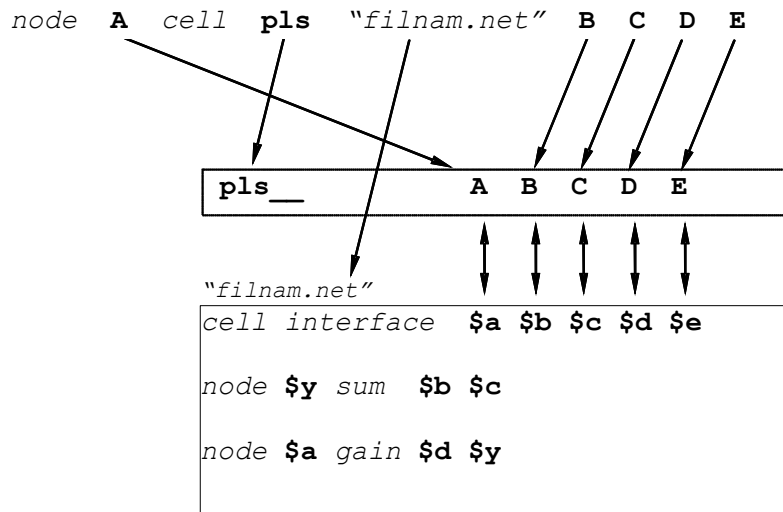


Figure 8 - The parsing mechanism of a cell (a)

<u>TABLE OF CORRESPONDENCES</u>		
<code>\$..</code>	→ <code>pls_..</code>	(local variable)
<code>\$a</code>	→ <code>A</code>	(interface)
<code>\$b</code>	→ <code>B</code>	
<code>\$c</code>	→ <code>C</code>	
<code>\$d</code>	→ <code>D</code>	
<code>\$e</code>	→ <code>E</code>	(not used in the cell)
<code>...</code>	→ <code>...</code>	(<u>any</u> other token)

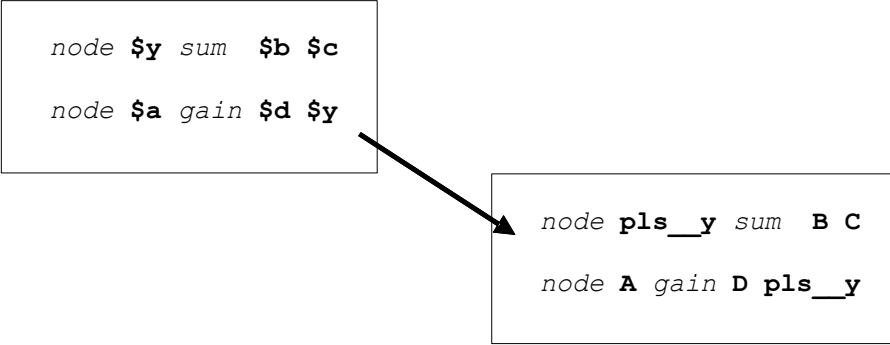


Figure 9 - The parsing mechanism of a cell (b)



Data cells

The user can place the values associated to the parameters of a cell or a netlist in a “*data cell*”. This data cell may contain variable definitions and other simple initializations. Neither simulation control, nor nodes are allowed in this kind of file.

WHEN?

To make a cell reusable, it is interesting to separate the topology of a structure from its parameters. The *data cell* (instruction “*data*”) provides a convenient way to collect the parameters in a file. The cell contains the topology; the data cell gives or computes the value of the associated parameters.

A FIRST EXAMPLE

Let’s consider a low pass FIR:

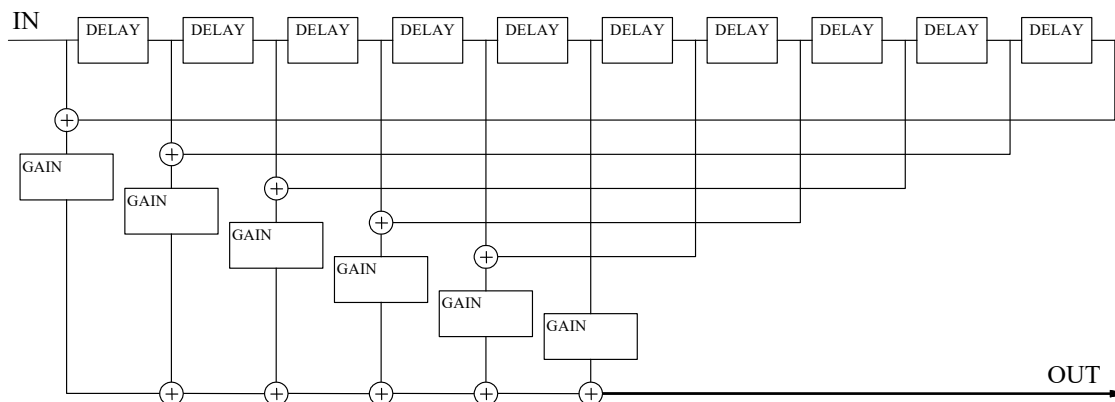


Figure 10 - A digital FIR

The netlist corresponding to this FIR is a *NAPA* cell. A parameter is reserved to pass the name of a file:

[file “fir.net”]

```
cell interface $y $x $filnam
#* Symmetrical FIR structure
#* Coefficients stored in data file "$filnam"
data $filnam $h0 $h1 $h2 $h3 $h4 $h5
node $d1 delay $x
node $d2 delay $d1
node $d3 delay $d2
node $d4 delay $d3
node $d5 delay $d4
node $d6 delay $d5
node $d7 delay $d6
node $d8 delay $d7
node $d9 delay $d8
node $d10 delay $d9
```

```
node $s0 sum $x $d10
node $s1 sum $d1 $d9
node $s2 sum $d2 $d8
node $s3 sum $d3 $d7
node $s4 sum $d4 $d6

node $g0 gain $h0 $s0
node $g1 gain $h1 $s1
node $g2 gain $h2 $s2
node $g3 gain $h3 $s3
node $g4 gain $h4 $s4
node $g5 gain $h5 $d5

node $y0 sum $g0 $g1
node $y1 sum $y0 $g2
node $y2 sum $y1 $g3
node $y3 sum $y2 $g4
node $y sum $y3 $g5
```

A data file "fir.dat" contains a set of coefficients compatible with this cell:

[file "fir.dat"]

```
data interface $cf0 $cf1 $cf2 $cf3 $cf4 $cf5

/* coefficients for a low pass FIR to be used with cell "fir.net" */

dvar $cf0      3.0510e+03
dvar $cf1      5.0980e+03
dvar $cf2      7.0090e+03
dvar $cf3      9.8440e+03
dvar $cf4      1.0950e+04
dvar $cf5      1.2043e+04
```

Here is an example of main netlist instantiating the cell:

[file "ex04.nap"]

```
title "transfer function of a FIR"

header <napa.hdr>
header <./resource/fft2.hdr>

fs 100.0e3

ivar npts POWEROF2(14)
directive NTF 10

node a noise 0.0 1.0
node b cell fir "fir.net" a "fir.dat"

tool tf "stdout" a 1.0 b 1.0 50000.0 npts

terminate TOOL_INDEX >= 1
```

We have a look again to the flattened description:


```
% NAPA ex04.nap -e > ex04a.nap
```

The resulting file "ex04a.nap" contains:

[file "ex04a.nap"]

```

## ***** EXPANSION OF FILE ex04.nap ***** START ***** ##

title "transfer function of a FIR"
header <napa.hdr>
header <./resource/fft2.hdr>
fs 100.0e3
ivar npts POWEROF2(14)
directive NTF 10
node a noise 0.0 1.0

## >>> node b cell fir "fir.net" a "fir.dat"

## >>> data "fir.dat" fir__h0 fir__h1 fir__h2 fir__h3 fir__h4 fir__h5

dvar fir__h0      3.0510e+03
dvar fir__h1      5.0980e+03
dvar fir__h2      7.0090e+03
dvar fir__h3      9.8440e+03
dvar fir__h4      1.0950e+04
dvar fir__h5      1.2043e+04

## <<<

node fir__d1 delay a
node fir__d2 delay fir__d1
node fir__d3 delay fir__d2
node fir__d4 delay fir__d3
node fir__d5 delay fir__d4
node fir__d6 delay fir__d5
node fir__d7 delay fir__d6
node fir__d8 delay fir__d7
node fir__d9 delay fir__d8
node fir__d10 delay fir__d9
node fir__s0 sum a fir__d10
node fir__s1 sum fir__d1 fir__d9
node fir__s2 sum fir__d2 fir__d8
node fir__s3 sum fir__d3 fir__d7
node fir__s4 sum fir__d4 fir__d6
node fir__g0 gain fir__h0 fir__s0
node fir__g1 gain fir__h1 fir__s1
node fir__g2 gain fir__h2 fir__s2
node fir__g3 gain fir__h3 fir__s3
node fir__g4 gain fir__h4 fir__s4
node fir__g5 gain fir__h5 fir__d5
node fir__y0 sum fir__g0 fir__g1
node fir__y1 sum fir__y0 fir__g2
node fir__y2 sum fir__y1 fir__g3
node fir__y3 sum fir__y2 fir__g4
node b sum fir__y3 fir__g5

## <<<
```

```

tool tf "stdout" a 1.0 b 1.0 50000.0 npts
terminate TOOL_INDEX >= 1

#* ***** EXPANSION OF FILE ex04.nap ***** END ***** *#

```

The coefficients of the filter are properly transmitted. The FIR structure is generic and can be stored in a library of reusable cells. The cell is customized through specific data cell files.

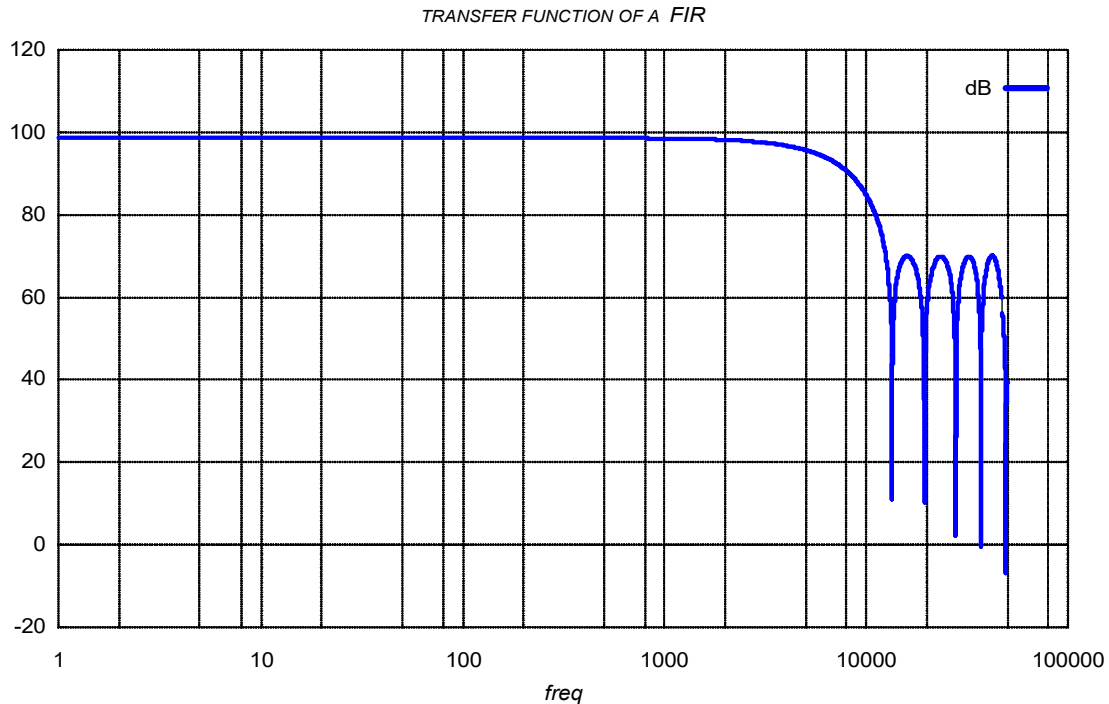


Figure 11 - Results of the simulation of the FIR

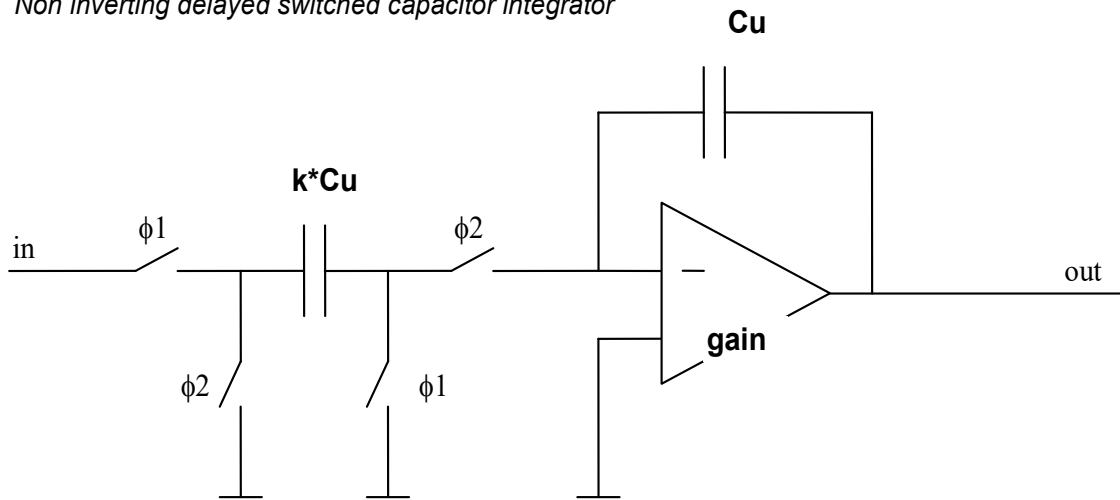
The data cell may be used not only to give coefficients but also to perform computations.

A SECOND EXAMPLE

In this example, we will describe a switched capacitor integrator with a limited gain operational amplifier. We imagine that this gain is a function of the bias current, and that this function itself could depend on the type of amplifier we are using. We use a data file to store the data related to the opamp. This data file computes the gain of the amplifier from the value of the bias current placed in the main netlist.

We will first build a model of the delayed switched capacitor integrator and put it in a cell file "intd.net".

Non inverting delayed switched capacitor integrator



Corresponding high level behavioral model:

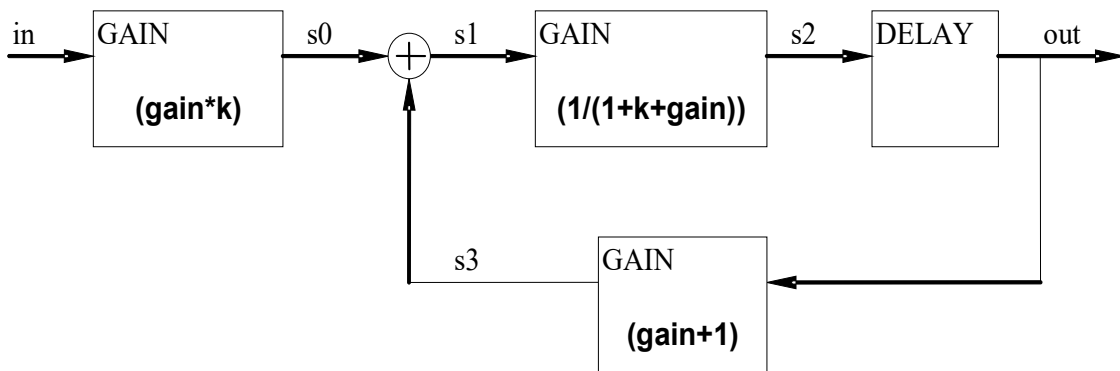


Figure 12 - The SWC integrator

[[file "int.net"]]

```

cell interface $out $in $k $start $ibias $opfile
declare (analog) $in // input voltage
declare (analog) $k // capacitor ratio
declare (analog) $start // initial value

data $opfile $gain $ibias

/* DELAYED INTEGRATOR WITH FINITE GAIN

init $out $start

dvar $g0 $gain * $k
dvar $g1 1.0/(1.0 + $k + $gain)
dvar $g2 $gain + 1.0

node $s0 gain $g0 $in
node $s1 sum $s0 $s3
node $s2 gain $g1 $s1
node $out delay $s2
node $s3 gain $g2 $out
    
```

In file "opamp0.dat", the description of a simplistic operational amplifier:

[file "opamp0.dat"]

```
data interface $gain $i
#* OPAMP OP0 - SIMPLISTIC
dvar $gain 10000.0 // constant gain
```

In file "opamp1.dat", a more accurate behavior based on the curve fitting of a SPICE simulation: the file has the same interface, but the content is more sophisticated. The gain is computed from the formula placed in the data cell:

[file "opamp1.dat"]

```
data interface $gain $i
#* OPAMP OP1 - TYPIC
#* $i bias current in uA
#* curve fitting valid in interval [100 uA, 150 uA]
dvar $gds 2.0*(-13.2e-9 + 1.19e-9*$i + 2.32e-12*$i*$i) &update
dvar $gm 2.0*(-296.0e-6 + 233.0e-6*sqrt($i) - 1.22e-6*$i) &update
dvar $gain $gm / $gds.....&update
```

The main netlist could be:

[file "ex05.nap"]

```
title "comparison between 2 SWC integrators"
header <napa.hdr>
fs 2.0e6
dvar ib 150.0 // bias current of opamp (uA)
node in sin 0.0 1.0 123.0 0.0
node out0 cell int0 "intd.net" in 3.0 0.0 ib "opamp0.dat"
node out1 cell int1 "intd.net" in 3.0 0.0 ib "opamp1.dat"
node delta sub out0 out1
output "stdout" in out0 out1 delta
terminate TIME > 0.05
```

(There is no offset in the opamp or in the activation as the non inverting integrator is only conditionally stable).

To understand the parsing mechanism, we flatten once more the description:

```
% NAPA ex05.nap -e > ex05a.nap
```

```

## ***** EXPANSION OF FILE ex05.nap ***** START ***** ##

title "comparison between 2 SWC integrators"
header <napa.hdr>
fs      2.0e6
dvar   ib 150.0
node   in sin 0.0 1.0 1234.0 0.0

## >>> node out0 cell int0 "intd.net" in 10.0 0.0 ib "opamp0.dat"

declare (analog) in
declare (analog) 10.0
declare (analog) 0.0

## >>> data "opamp0.dat" int0__gain ib

dvar int0__gain 10000.0

## <<<

init out0__s2 0.0
dvar int0__g0 int0__gain * 10.0
dvar int0__g1 1.0/(1.0 + 10.0 + int0__gain)
dvar int0__g2 int0__gain + 1.0
node int0__s0 gain int0__g0 in
node int0__s1 sum int0__s0 int0__s3
node int0__s2 gain int0__g1 int0__s1
node out0 delay int0__s2
node int0__s3 gain int0__g2 out0

## <<<

## >>> node out1 cell int1 "intd.net" in 10.0 0.0 ib "opamp1.dat"

declare (analog) in
declare (analog) 10.0
declare (analog) 0.0

## >>> data "opamp1.dat" int1__gain ib

dvar int1__data_1__gds 2.0*(-13.2e-9 + 1.19e-9*ib + 2.32e-12*ib*ib)
dvar int1__data_1__gm 2.0*(-296.0e-6 + 233.0e-6*sqrt(ib) - 1.22e-6*ib)
dvar int1__gain int1__data_1__gm / int1__data_1__gds
update int1__data_1__gds
update int1__data_1__gm

```

```

update int1__gain

#* <<<

init int1__out 0.0
dvar int1__g0 int1__gain * 10.0
dvar int1__g1 1.0/(1.0 + 10.0 + int1__gain)
dvar int1__g2 int1__gain + 1.0
node int1__s0 gain int1__g0 in
node int1__s1 sum int1__s0 int1__s3
node int1__s2 gain int1__g1 int1__s1
node out1 delay int1__s2
node int1__s3 gain int1__g2 out1

#* <<<

node delta sub out0 out1
output "stdout" in out0 out1 delta
terminate TIME > 0.005

#* ***** EXPANSION OF FILE ex05.nap ***** END ***** *#

```

By stepping the bias current from 100 to 150 μ A, we can analyze the behavior of the integrator for different values of bias current:

[file "ex06.nap"]

```

title "SWC integrator, absolute gain vs. bias current"

#* analysis of the attenuation caused by the opamp gain

header <n Timer>
header <toolbox>

fs 2.0e6

dvar ib linsweep(ctr, 100.0, 150.0, 21) &update
dvar freq 123.0

export ib freq

num_initial 1000

node in sin 0.0 1.0 freq 0.0
node out cell int "intd.net" in 3.0 0.0 ib "opamp1.dat"

node ctr itool sinewave "stdout" out 1.0 freq 100000

terminate ctr > 20

```

We have a look again to the flattened description:

```
% NAPA ex06.nap -e > ex06a.nap
```

```

#* ***** EXPANSION OF FILE  ex06.nap  ***** START ***** *#

title "SWC integrator, absolute gain vs. bias current"
header <napa.hdr>
header <toolbox.hdr>
fs 2.0e6
dvar  ib  linsweep(ctr, 100.0, 150.0, 21)      &update
dvar  freq  1234.0
export  ib  freq
num_initial 10000
node  in  sin 0.0 1.0 freq 0.0

#* >>> node  out  cell  int  "intd.net"  in 10.0 0.0  ib  "opamp1.dat"

declare (analog)  in
declare (analog)  10.0
declare (analog)  0.0

#* >>> data  "opamp1.dat"  int__gain  ib

dvar  int__data_0__gds  2.0*(-13.2e-9 + 1.19e-9*ib + 2.32e-12*ib*ib)
dvar  int__data_0__gm  2.0*(-296.0e-6 + 233.0e-6*sqrt(ib) - 1.22e-6*ib)
dvar  int__gain  int__data_0__gm / int__data_0__gds
update  int__data_0__gds
update  int__data_0__gm
update  int__gain

#* <<<

init  int__out  0.0
dvar  int__g0  int__gain * 10.0
dvar  int__g1  1.0/(1.0 + 10.0 + int__gain)
dvar  int__g2  int__gain + 1.0
node  int__s0  gain  int__g0  in
node  int__s1  sum  int__s0  int__s3
node  int__s2  gain  int__g1  int__s1
node  out  delay  int__s2
node  int__s3  gain  int__g2  out

#* <<<

node  ctr  itool  sinewave  "stdout"  out 1.0  freq 10000

terminate  ctr  > 20

#* ***** EXPANSION OF FILE  ex06.nap  ***** END ***** *#

```

HOW IT WORKS

The parser builds a correspondence between the parameters of the instantiation and the parameters of the data cell interface. The mechanism is similar to the parsing of the pseudo-node “*cell*”. There is no explicit instantiation name here. For the instantiation of a data cell, the parser builds an unambiguous and unique instantiation name from a counter of instances.

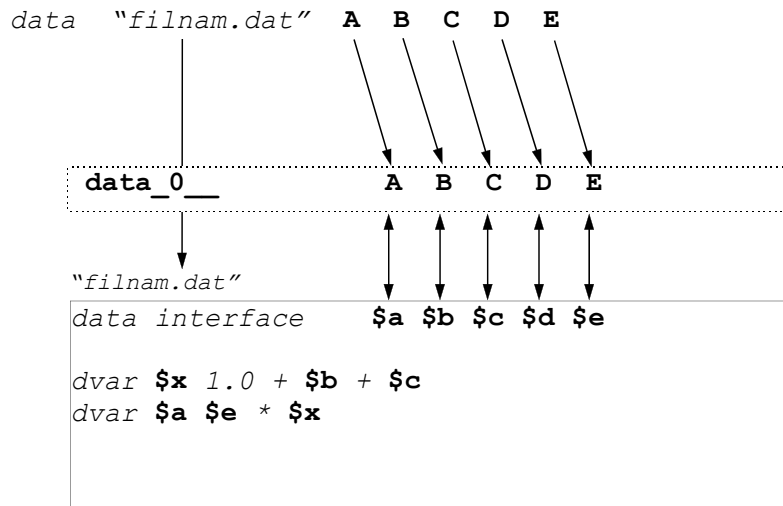


Figure 13 - The parsing mechanism of a data cell (a)

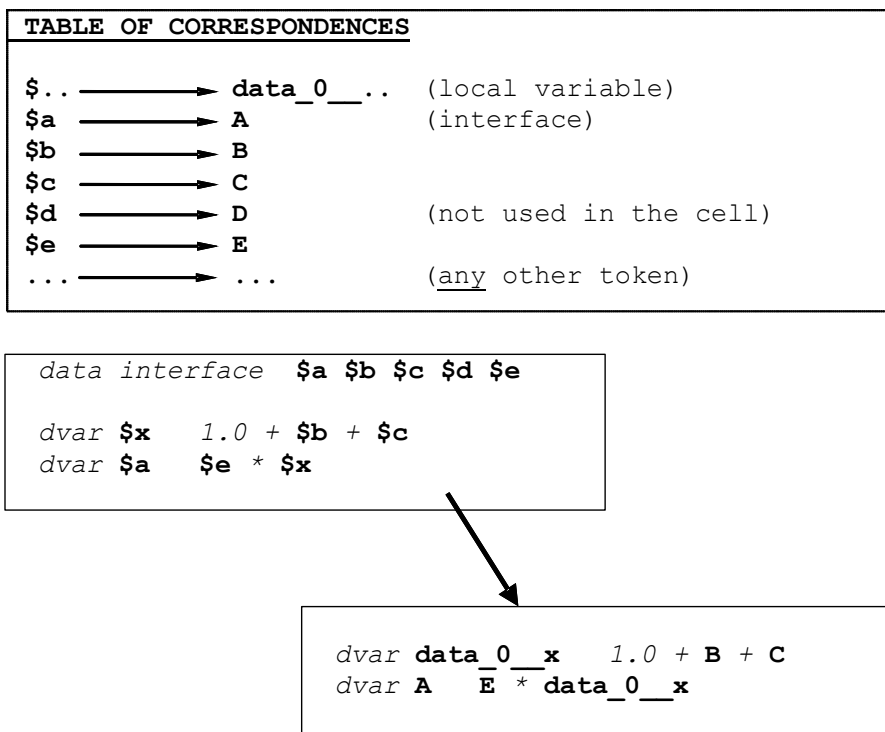


Figure 14 - The parsing mechanism of a data cell (b)



Generators

There is a large category of applications where the basic topology is declined in many variants. In the previous example, the FIR could use another number of coefficients. The netlist is similar but must be adapted to the new numbers of parameters. It is of course possible to generate the cell by a stand-alone program or a script. *NAPA* provides a way to call the program on the fly during the parsing and to use the newly written cell immediately as it was a usual cell.

WHEN?

Each time you have a clearly reusable cell where the structure is regular but accepts many variants.

A FIRST EXAMPLE

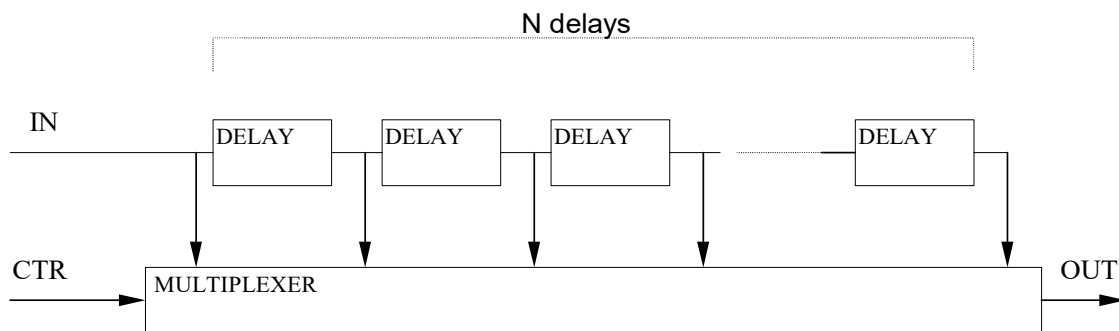


Figure 15 - Programmable delays

It is possible to describe this structure with a cell, when the number of delays in the chain is fixed. Here is an example for a sequence of 4 delays:

```
[file "delay4.net"]  
cell interface $out $ctr $in  
  
/* programmable delays 0 to 4 controlled by 'ctr'  
  
declare (digital) $ctr  
  
node $d1 delay $in  
node $d2 delay $d1  
node $d3 delay $d2  
node $d4 delay $d3  
  
node $out mux $ctr $in $d1 $d2 $d3 $d4
```

If the number of delays is variable, we have to write as many cells as we have variants. It is possible to use a generator of cell. The example shows an ANSI-C program but you can imagine to use any possible ways to generate the ASCII netlist: scripts, C, Pascal, ..

[file "delay.c"]

```
/* *** Generator of programmable delays ***** */
#include "gen.h" /* specific header for NAPA generator */

int main(int argc, char **argv) {

    int i, num;
    char ofnam[256];
    FILE *ofp;

    strcpy(ofnam, argv[1]);
    ofp = fopen(ofnam, "w");
    sscanf(argv[2], "%d", &num);
    fprintf(ofp, "cell interface");
    fprintf(ofp, " $out $dummy $ctr $in\n\n");
    fprintf(ofp, "declare (digital) $ctr\n\n");
    fprintf(ofp, "node $d1 delay $in\n");
    for (i = 1; i < num; i++) {
        fprintf(ofp, "node $d%-3d delay $in\n", i+1);
    }
    fprintf(ofp, "\nnode $out mux $ctr $in");
    for (i = 1; i <= num; i++) {
        fprintf(ofp, " $d%d", i);
    }
    fprintf(ofp, "\n\n");
    fclose(ofp);

    return EXIT_SUCCESS;
}
```

This generator has to be compiled. Of course, it is recommended to add code to verify the integrity of the inputs, the file opening and closing ... Dig in the generic generator library of *NAPA* for complete examples.

[file "delay"] (UNIX)
[file "delay.exe"] (DOS)

```
..(Executable built from file "delay.c")..
..
```

Although this is not the preferred way, the generator can be used as a stand-alone program. The result is a *NAPA* cell which could be used as a regular cell

```
% delay "delay4.net" 4
```

It is recommended to use the pseudo-node "generator" in the *NAPA* netlist to call directly the execution and the generation of the cell on the fly. Syntax is very similar to the syntax of a cell:

[file "ex07.nap"]

```
title "programmable delays"
header <napa.hdr>
fs 1.0e6
node in clock "111 . 01 0011 000111 00001111"
node nd dc (digital) 3
node out generator delay "delay" 4 nd in
output "stdout" nd in out
terminate LOOP_INDEX > 50LL
```

NAPA produces on the fly a system call: `system("delay "delay_0.gen" 4 nd in")` triggering the generation of the cell "delay_0.gen" and parses immediately the netlist of the brand new cell as it the parsing of:

```
..
node out cell delay "delay_0.gen" 4 nd in
..
```

Please note that the parameters of the pseudo-node "*generator*" can be used for the generation of the cell and as arguments of the cell instantiation. Some parameters can be used for the generator only (here the number '4'), This is why the unused symbol "\$dummy" has been inserted in the cell interface. Other parameters are used in the instantiation only (here the identifier 'nd' and 'in').

[file "delay_0.gen"]

```
cell interface $out $dummy $ctr $in
declare (digital) $ctr
node $d1 delay $in
node $d2 delay $d1
node $d3 delay $d2
node $d4 delay $d3
node $out mux $ctr $in $d1 $d2 $d3 $d4
```

It is interesting to expand again the netlist to understand the way *NAPA* is parsing and flattening the netlist in the presence of a generator:

```
% NAPA ex07.nap -e > ex07a.nap
```

[file "ex07a.nap"]

```
## ***** EXPANSION OF FILE ex07.nap ***** START ***** ##
title "programmable delays"
header <napa.hdr>
fs 1.0e6
node in clock "111 . 01 0011 000111 00001111"
node nd dc (digital) 3
```

```

/* >>> node out generator delay "delay" 4 nd in
/*      changed in ... cell delay_0 "delay_0.gen" 4 nd in

declare (digital) nd
node delay_0__d1 delay in
node delay_0__d2 delay delay_0__d1
node delay_0__d3 delay delay_0__d2
node delay_0__d4 delay delay_0__d3
node out mux nd in delay_0__d1 delay_0__d2 delay_0__d3 delay_0__d4

/* <<<

output "stdout" nd in out
terminate LOOP_INDEX > 50LL

/* ***** EXPANSION OF FILE ex07.nap ***** END ***** */


```

HOW IT WORKS

The pseudo-node “generator” transfers its parameters to the system call and to generated cell for parsing:

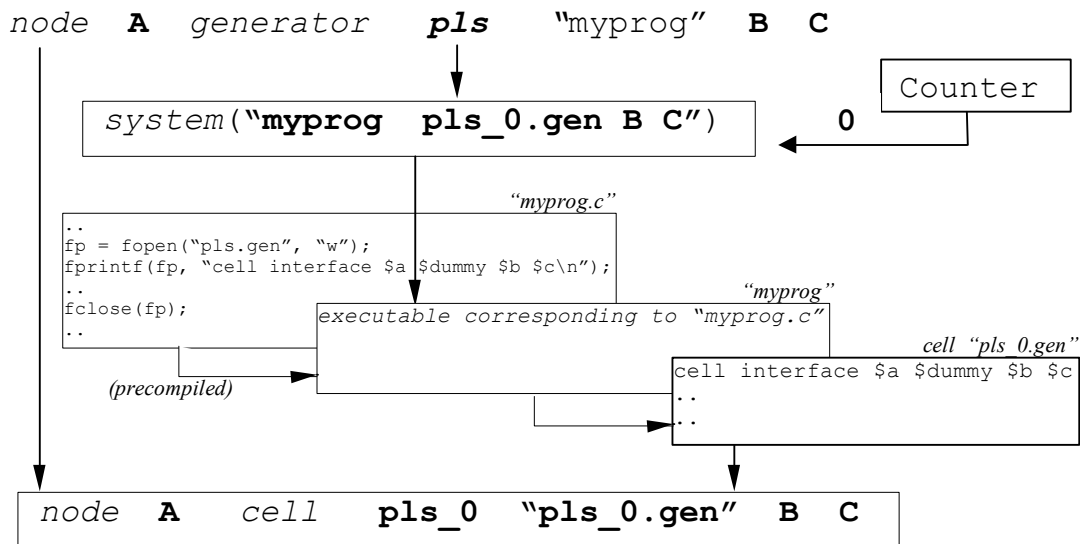


Figure 16 - The parameters of a generator

ADVANCED USERS

The remark on the cell preprocessing remains valid. It is possible to build surprising applications when you know that the parser could preprocess every token of the generated cell.

There is no limit: a generator could produce a cell containing a cell or ...another generator if it makes sense to do it!

Think to reusability. Use standard language like ANSI-C to have your generator reusable on other platforms.



User-defined C macros

It is possible to introduce macro constants and macros functions thanks to the instruction 'directive'.

WHEN?

As soon as you need a function in a *C* expression and you prefer an inline definition in the *NAPA* source.

A FIRST EXAMPLE

Here are the definitions of a few macros:

[file"myfile1.nap"]

```
header <napa.hdr>
...
directive VDD      5.0
directive POW2(x)  (pow(2.0, (double) (x)))
directive TEMP
...
```

The *C* code produced by *NAPA* will include the following macros:

```
#define VDD 5.0
#define POW2(x) (pow(2.0, (double) (x)))
#define TEMP
#define TEMP_IS_EMPTY
...
```

A SECOND EXAMPLE

The definition of the macro may include variables defined in the *NAPA* source:

[file"myfile2.nap"]

```
header <napa.hdr>
...
dvar      zeroK      -273.15
...
directive C2K(t)    (t - zeroK)
...
```

The *C* code produced by *NAPA* will include the following macros:

```
...
#define C2K(t) (t - d_var_zeroK)
...
double d_var_zeroK = -273.15;
...
```

HOW TO DEFINE A DEFAULT VALUE?

In a header, how to define a macro with a default value?

```
...
    #if defined(FOO_IS_EMPTY) || !defined(FOO)
    #undef FOO
    #define FOO      the_default_value_of_FOO
    #endif
...
```

The macro FOO, if it is not called by a directive in the *NAPA* source, will be created and a default value will be assigned. If the macro FOO is defined without parameter, the value by default will be assigned. This is an elegant way to avoid the crash of the C compiler when a macro has no argument and is therefore translated as empty.

```
...
    #if defined(TOTO_IS_EMPTY)
    #undef TOTO
    #define TOTO      the_default_value_of_TOTO
    #endif
...
```

The macro TOTO, if it is not called by a directive in the *NAPA* source, will NOT be created. A default value will be assigned if the macro has been defined without argument. This is an elegant way to avoid the crash of the C compiler when a macro has no argument and is therefore translated as empty.



User-defined C functions

NAPA accepts *C* expression in several occasions. By default, the user has access to the standard mathematical library of the *ANSI-C*. Several other functions, located in the “*napa.hdr*” header file, are also available.

The *NAPA* compiler is able to detect the explicit use of a *C* function in the main netlist or in a cell or data cell file. For each function, the compiler adds a macro processor constant in the *C* output program:

```
#define COMPILE_the_function_identifier
```

As we will see in the second example, it makes possible to trigger automatically the compilation of the file containing the code of the function.

WHEN?

As soon as you need a function in a *C* expression.

A FIRST EXAMPLE

Here is the definition of a simple function:

```
[file"tau.hdr"]
```

```
#ifndef __TAU_HDR__
#define __TAU_HDR__

double tau_rc(double, double);

double tau_rc(double r, double c) {
    return 1.0 / (_2PI_ * r * c);
}

#endif                                     /* __TAU_HDR__ */
```

To have this function compiled with the simulator, use the instruction “*header*”:

```
[file"ex08.nap"]
```

```
header <napa.hdr>
header "tau.hdr"

fs      1.0e6

dvar   r1  1.200e3
dvar   c2  1.0e-12

dvar   rc  tau_rc(r1, c2)

node   a dalgebra 1.0 * exp(-TIME / rc)

output "stdout" a
terminate TIME > (10.0 * rc)
```

A SECOND EXAMPLE

The *C* function is used explicitly in the netlist, i.e. if it is not hidden in a header. *NAPA* is able to detect the function and to trigger the compilation of the proper function.

The *C* code contains the following directive: `#define COMPILE_tau_rc`

In the generic header library provided with the *NAPA* package, there is an index file “toolbox.hdr” containing the addresses of the files to be compiled. If you add your function to this index:

[file "toolbox.hdr"]

```
..
#ifdef COMPILER_tau_rc
# include "tau.hdr"
#endif
..
```

If you take care to include the header “toolbox.hdr” in your netlist, the compiler will select automatically your file. There is no more need to remember the location of the functions.

[file "ex09.nap"]

```
header <napa.hdr>
header <toolbox.hdr>

fs 1.0e6

dvar r1 1.200e3
dvar c2 1.0e-12

dvar rc tau_rc(r1, c2)

node a dalgebra 1.0 * exp(-TIME / rc)

output "stdout" a
terminate TIME > (10.0 * rc)
```

METHODOLOGY

The compiler maintains a long list of macro-preprocessor constants and variables (see the user’s guide for an exhaustive list) and several important global variables. The *C* code is compiled in one pass without any kind of pre-compilation. Every header is included in the main program. This is a powerful feature as every piece of code can be customized during the macro preprocessing before the *C* compilation.

For instance, the macro “FSL” is pointing to the sampling frequency local to the segment containing the function call: the function can be made aware of the local sampling frequency.

There is a disadvantage: no variable is local. The simulator is a single *C* file and is not taking advantage of some of the *C* features like the separate compilation and the variable local to a file. It means that the user should take care to not duplicate the declaration of an existing identifier.



HOW IT WORKS

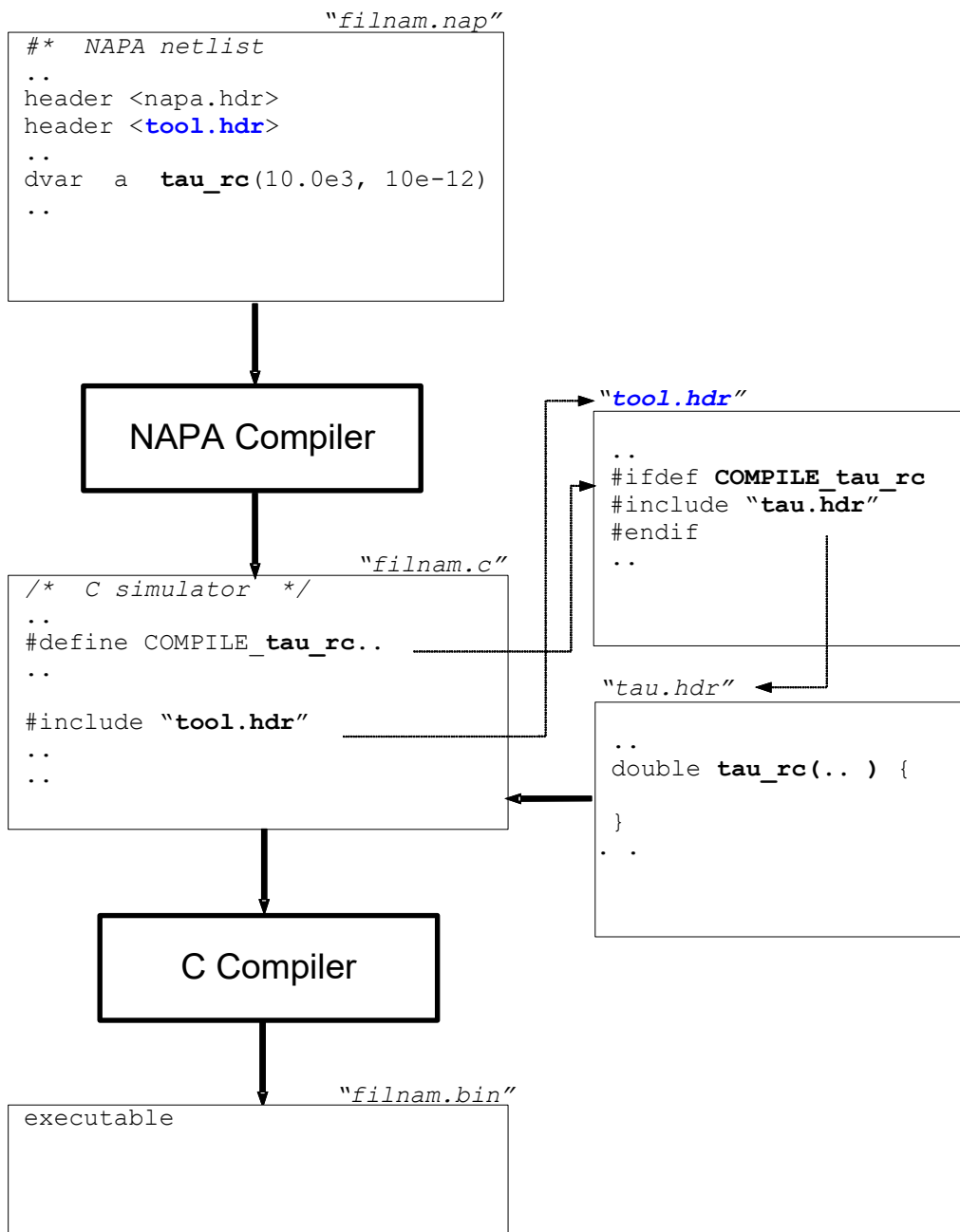


Figure 17 - The C Macroprocessor and the functions

“algebra”, “dalgebra”, “ialgebra”

The nodes “*algebra*”, “*dalgebra*” and “*ialgebra*” accept *C* expression. This is the simplest way to customize *NAPA*, making possible to describe a primitive that does not exist in the package.

WHEN?

If it is possible to describe the primitive in a one-lined *C* expression, this is the preferred way. Define a user function (see previous chapter) to build a more sophisticated primitive and insert it in the expression. But if you have to write a procedure with internal memory states, if this procedure must be initialized or closed, you need more powerful objects (see next chapter the nodes “*duser*” and “*iuser*”).

AN EXAMPLE

In file “*utility.hdr*”, we have defined a recursive GCD function. This function has no internal memory states. It does not require any initialization and has nothing to process at the closedown of the simulator. This is the perfect candidate for a “*ialgebra*” node.

[file “*utility.hdr*”]

```
#ifndef __UTILITY_HDR__
#define __UTILITY_HDR__

long GCD(long, long);

long GCD(long n1, long n2) {          /* Greater Common Divider */
    if (n1 < n2) {
        return GCD(n2, n1);
    }
    if (n1 % n2 == 0) {
        return n2;
    }
    return GCD(n2, n1 % n2);
}

#endif                               /* __UTILITY_HDR__ */
```

This is clearly a generic function. We will make it reusable by introducing its address in the generic index file “*toolbox.hdr*”:

[file “*toolbox.hdr*”]

```
..
#ifdef COMPILER_GCD
# include “utility.hdr”
#endif
..
```

The use of this function is now straightforward:

[file “*ex10.nap*”]

```
title “GCD vs. number #v” for the #e first integers”

header <napa.hdr>
header <toolbox.hdr>
```



```
fs 1.0

ivar v 60
ivar e 200

node a sum b One
node b delay a

init b 1 // initialized to 1 to avoid a division by 0!

node c ialgebra GCD(b, v)

output "stdout" b c
terminate LOOP_INDEX > e
```

Of course, this function could be used in other locations where a *C* expression is allowed.

The simulation output, just for fun:

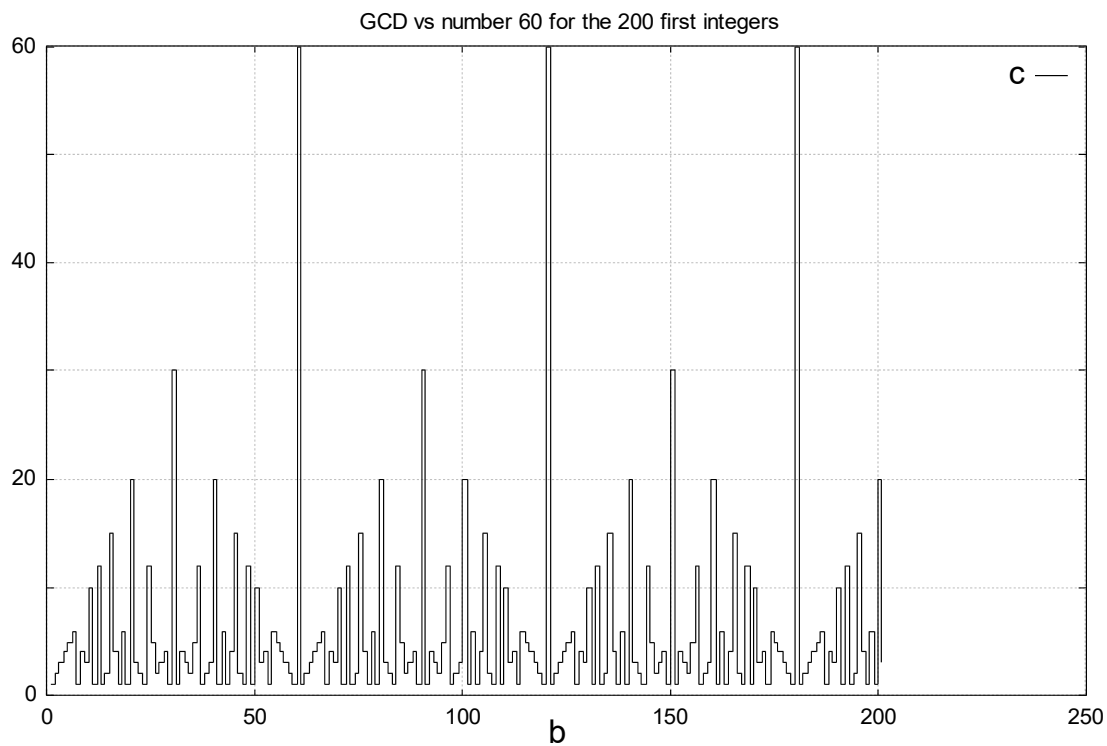


Figure 18 - Output of the GCD trials

HOW IT WORKS

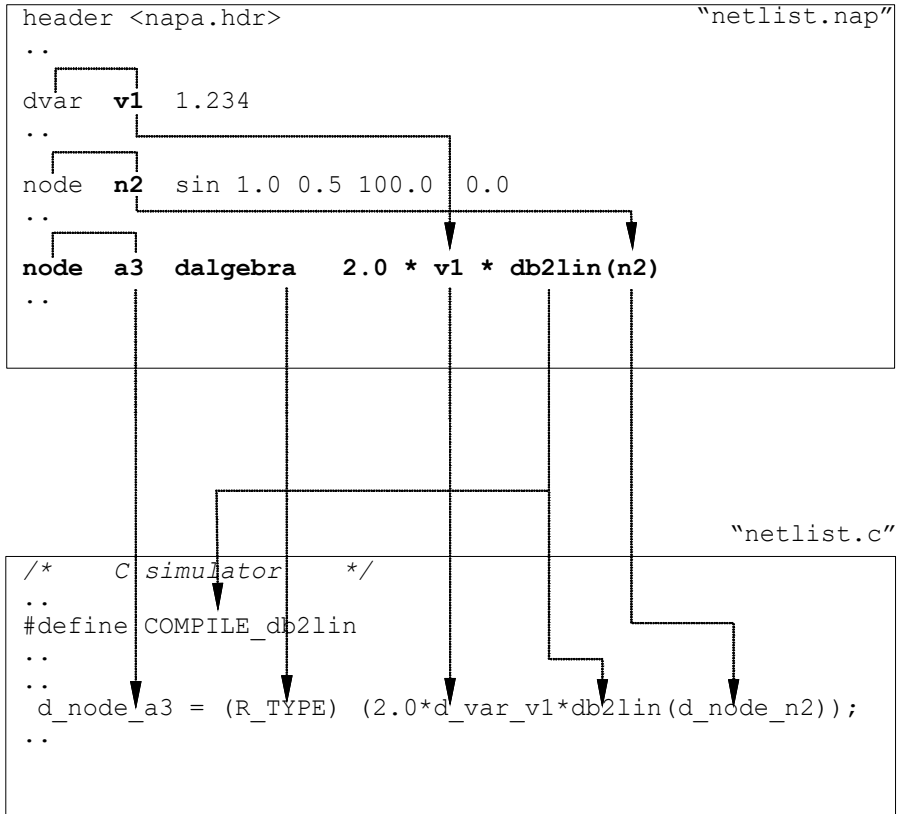


Figure 19 - The translation of a "dalgebra" node

“`napa_init()`”, “`napa_close()`”

Two functions “`napa_init()`” and “`napa_close()`” are predefined in the header file “`napa.hdr`”. These functions can be completed by the user. The first function is called at the initialization before any other one. The second function is called at the very end of the simulation after any other one.

WHEN?

Each time you have to customize the *NAPA* simulator to your operating system, to your set-up or for your convenience.

AN EXAMPLE

Here is a method to compute and display on the screen the effective duration of the simulation. The code specific to this application figures in bold in the text:

[file “`napa.hdr`”]

```
#ifndef __NAPA_HDR__
#define __NAPA_HDR__
..
time_t napa_time_start;
time_t napa_time_stop;
..
void napa_init(void) {
    ..
    (void) time(&napa_time_start);
    ..
    return;
}
..
void napa_close(void) {
    ..
    long t, h, m, s;
    ..
    (void) time(&napa_time_stop);
    t = (long) (napa_time_stop - napa_time_start);
    s = (t % 60);
    m = (t / 60) % 60;
    h = (m / 60);
    fprintf(stderr, "\n*** STOPWATCH: %02ld:%02ld:%02ld ***\n", h, m, s);
    ..
    return;
}
..
#endif /* __NAPA_HDR__ */
```

On the screen, at the end of the simulation:

[SCREEN]

```
..
*** STOPWATCH: 00:00:19 ***
%
```

HOW IT WORKS

The *NAPA* simulator places the functions, resp. in the top and in the bottom of the *C* program. It guarantees that the code is executed at the very beginning and the very end of the simulation:

[file "simulator.c"]

```
..
void napa_init(void);
void napa_close(void);
..
#include "/home/NAPA/hdr/napa.hdr"
..
int main(void) {

    napa_init();
    ..
    napa_reset_variables();
    napa_reset_nodes();
    ..

    do {
        napa_time = ..;

        .. /* code corresponding to the netlist */

        napa_loop_index++;
    } while ( .. );

    napa_close();
    return EXIT_SUCCESS;
}
..
```

“napa_loop_option(int)”

AVAILABLE ONLY WHEN NAPA COMPILER IS COMPILED WITH OPTION “COMPILE_LOOP_OPTION = YES”,

DEFAULT IS NO.

If a process needs to be run just before or just after the main loop, or each time at the beginning or at the end of the main loop, define the function called “napa_loop_option(int opt)” as described below.

WHEN?

Reserved to advanced users to customize *NAPA*. Use only when other solutions fail!

AN EXAMPLE

[file “myfile.nap”]

```
header <napa.hdr>
header “./myoption.hdr”>      // Header file containing the process options
..
terminate ..
```

Where the file “myoption.hdr” contains the processes to be run and the macro definition needed to activate the function calls. Here is a template of such a file:

[file “myoption.hdr”]

```
#ifndef __MYOPTION_HDR__
#define __MYOPTION_HDR__

#define NAPA_LOOP_OPTION      /* to trigger the call of the option      */

void napa_loop_option(int opt) {
..
  switch (opt) {
    case 0:                      /* called just before the main loop      */
      ..
      break;
    case 1:                      /* called at the beginning of the main loop */
      ..
      break;
    case 2:                      /* called at the end of the main loop      */
      ..
      break;
    case 3:                      /* called just after the main loop        */
      ..
      break;
  }
}
```




“init”, “call”

If a process needs to be initialized at the beginning of the simulation and run periodically at each sampling period, it is possible to use the instructions “*init*” and “*call*”.

WHEN?

As it is superseded by the user-defined function of the nodes “*duser*” and “*iuser*”, this method is generally not recommended. This is nevertheless the solution to use a function that was not specifically written for *NAPA* and for some (good) reason you do not want to modify to use it in a *NAPA* environment.

AN EXAMPLE

Here is an example of the method. This is only an example. It is MUCH better to use node “*iuser*”.

[file “junk.hdr”]

```
#ifndef __JUNK_HDR__
#define __JUNK_HDR__

long junk_array[128];      /* global variables for the simulator! */
long my_random_number;

void my_function1(void);
void my_function2(long);

void my_function1(void)
  time_t t;
  int i;
  (void) time(&t);
  srand((unsigned long) t);
  for(i = 0; i < 128; i++) {
    junk_array[i] = (long) rand();
  }
  my_random_number = 0;
  return;
}

void my_function2(long n)
  static int i = 0;
  i++;
  if (i > 127) {
    i = 0;
  }
  my_random_number = junk_array[i] * n;
  return;
}

#endif                          /* __JUNK_HDR__ */
```

Here is an example of netlist using these functions:

[file “junk.nap”]

```
header <napa.hdr>
header “junk.hdr”
```

```

fs 1.0e6

init void my_function1( )

node a ialgebra my_random_number % 100
call void my_function2(10)

output "stdout" a
terminate LOOP_INDEX > 250LL

```

HOW IT WORKS

The *NAPA* simulator places the functions resp. in the top and in the bottom of the *C* program, resp. in the `napa_reset_variables()` function, placed after the '`napa_init()`' function, and in the simulation loop with the update of the variables:

[file "junk.c"]

```

void napa_init(void);
void napa_close(void);
void reset_variables(void);
void reset_nodes(void);

#define COMPILE_my_function1
#define COMPILE_my_function2

#include "/Simulate/Napados/Hdr/napa.hdr"
#include "junk.hdr"

..

int main(void) {

    napa_init();
    napa_reset_variables();
    napa_reset_nodes();

    do {

        napa_time = napa_loop_index ..;

        /* Block 1 (variables) */
        my_function2(10);
        ..

        /* Block 2 (nodes) */
        i_node__a = (I_TYPE) (my_random_number % 100);

        /* Block 3 (output) */
        fprintf(.., "..%ld..\n", i_node__a );

        napa_loop_index++;
    } while ( .. );

    napa_close();
    return EXIT_SUCCESS;
}

..

```



```
void napa_reset_variables(void) {  
    my_function1( );  
    ..  
    return;  
}
```

It is of course possible to place the pathname of the file containing the code in the index header file “toolbox.hdr” but it does not make sense to reuse such a poor practice.

“duser”, “iuser”

Nodes “*algebra*”, “*dalgebra*” and “*ialgebra*” accept only one-lined expression. There is simply no provision to initialize the function if it is necessary. The pair of instructions “*init*” and “*call*” makes possible the initialization of the process. But the mechanism is too crude and the user must manipulate two correlated functions and their parameters. The nodes “*duser*” and “*iuser*” bring user-friendliness and data encapsulation with a lot of other interesting features.

Following the instantiation, for example, of a “*duser*” node called ‘foo’ with 3 arguments, the compiler will take several actions.

The first action is to place a macro definition with the number of instantiations of the function

```
#define COMPILE_duser_foo 1'
```

The second action is to place 4 functions call in the C code of the simulator:

in the initialization part:	'check_duser_foo_03(arg1, arg2, arg3, 0)'
	'init_duser_foo_03(arg1, arg2, arg3, 0)'
in the main loop	'duser_foo_03(arg1, arg2, arg3, 0)'
in the closedown part	'close_duser_foo_03(arg1, arg2, arg3, 0)'

In case of restart, the compiler will place a 5th function:

```
'reset_duser_foo_03(arg1, arg2, arg3, 0)'
```

The last argument of these functions (here the number ‘0’) corresponds to the value of a counter of instances of the “*duser*” ‘foo’. These functions must have been defined in a header file. They must exist but could be empty depending on the process the function is written for.

WHEN?

When you have to build a function needing an initialization, with internal memory states particular for each instantiation, or with a variable number of parameters, this is the best choice. Reusability and ease of use are optimal. If your function is used to analyze a result and not to produce a signal, use the nodes “*itool*” and “*dtool*” (see next chapter).

A FIRST EXAMPLE

[[file “rsin.hdr”]]

```
#ifndef __RSIN_HDR__
#define __RSIN_HDR__

/* **** USAGE **** */
/* node <out> duser rsin <amplitude> <fmin> <fmax> */
/* */
/* sinewave with random frequency and phase */
/* */
/* where <out>          output node */
/* <amplitude> amplitude */
/* <fmin>             min of random frequency */
/* <fmax>             max of random frequency */

/* **** function prototypes **** */
/*          amplitude fmin fmax id */
void check_duser_rsin_03(double, double, double, int);
void init_duser_rsin_03(double, double, double, int);
void reset_duser_rsin_03(double, double, double, int);
void close_duser_rsin_03(double, double, double, int);
double duser_rsin_03(double, double, double, int);
```



```
/* **** global variables **** */
double rsin_fr[32];
double rsin_ph[32];

/* **** resources **** */
#include "./function/random.hdr" /* containing 'rand_uniform()' */

/* **** function definitions **** */
void check_duser_rsin_03(double x, double fmin, double fmax, int id) {
    if (id >= 32) {
        fprintf(stderr, "NAPA Run Time Error (rsin[%d])", id);
        fprintf(stderr, " array overflow\n");
        napa_exit(EXIT_FAILURE);
    }

    if ((fmin <= 0.0) || (fmax <= 0.0) || (fmin > fmax)) {
        fprintf(stderr, "NAPA Run Time Error (rsin[%d])", id);
        fprintf(stderr, " inconsistent frequencies [%g, %g]\n", fmin, fmax);
        napa_exit(EXIT_FAILURE);
    }
}

return;
}

void init_duser_rsin_03(double x, double fmin, double fmax, int id) {
    reset_duser_rsin_03(x, fmin, fmax, id);
    return;
}

void reset_duser_rsin_03(double x, double fmin, double fmax, int id) {
    rsin_fr[id] = rand_uniform(fmin, fmax);
    rsin_ph[id] = rand_uniform(0.0, _2PI_);
    return;
}

void close_duser_rsin_03(double x, double fmin, double fmax, int id) {
    return;
}

double duser_rsin_03(double ampl, double fmin, double fmax, int id) {
    return ampl * SIN((_2PI_ * rsin_fr[id]* TIME) + rsin_ph[id])
}

#endif /* __RSIN_HDR__ */
```

Here is a netlist using this function

[file "ex11.nap"]

```
header <n Timer>
header "rsin.hdr"

fs 1.0e6

node a duser rsin 1.0 100.0 1000.0
node b duser rsin 2.0 1000.0 10000.0

output "stdout" a b

terminate LOOP_INDEX > 1000LL
```

A SECOND EXAMPLE

Some of the parameters could accept default values. Other parameters are used only during the initialization phase. Using the *C* macro-preprocessor, it is possible to build a more efficient code and increase the flexibility of the user-defined functions. As the header file could contain many complex user-defined functions, we add a macro-preprocessor directive for conditional compilation. We rework a little bit the previous file:

[file "rsina.hdr"]

```
#ifndef __RSIN_HDR__
#define __RSIN_HDR__

/* **** USAGE **** */
/* node <out> duser rsin <amplitude> <fmin> <fmax> */
/* node <out> duser rsin <amplitude> <bwth> */
/* node <out> duser rsin <amplitude> */
/* */
/* sinewave with random frequency and phase */
/* */
/* where <out> output node */
/* <amplitude> amplitude */
/* <fmin> min of random frequency [default 0.0] */
/* <fmax> max of random frequency */
/* <bwth> max of random frequency [default FSL/2.0] */

/* **** function head trimming **** */
#define check_duser_rsin_03(a,b,c,d) check_duser_rsin( b, c,d)
#define init_duser_rsin_03(a,b,c,d) init_duser_rsin( b, c,d)
#define reset_duser_rsin_03(a,b,c,d) reset_duser_rsin( b, c,d)
#define close_duser_rsin_03(a,b,c,d) close_duser_rsin( )
#define duser_rsin_03(a,b,c,d) duser_rsin(a, d)

#define check_duser_rsin_02(a,b,c) check_duser_rsin( 0.0,b, c)
#define init_duser_rsin_02(a,b,c) init_duser_rsin( 0.0,b, c)
#define reset_duser_rsin_02(a,b,c) reset_duser_rsin( 0.0,b, c)
#define close_duser_rsin_02(a,b,c) close_duser_rsin( )
#define duser_rsin_02(a,b,c) duser_rsin(a, c)

#define check_duser_rsin_01(a,b) check_duser_rsin( 0.0,FSL/2.0,b)
#define init_duser_rsin_01(a,b) init_duser_rsin( 0.0,FSL/2.0,b)
#define reset_duser_rsin_01(a,b) reset_duser_rsin( 0.0,FSL/2.0,b)
#define close_duser_rsin_01(a,b) close_duser_rsin( )
#define duser_rsin_01(a,b) duser_rsin(a, b)

/* **** function prototypes **** */
/* amplitude fmin fmax id */
void check_duser_rsin( double, double, int);
void init_duser_rsin( double, double, int);
void reset_duser_rsin( double, double, int);
void close_duser_rsin( void );
double duser_rsin(double, int);

#ifdef COMPILE_duser_rsin /* ---- CONDITIONAL COMPILATION -START- */

#undef RSIN_MAX
#define RSIN_MAX COMPILE_duser_rsin /* number of rsin functions */

/* **** global variables **** */
double rsin_fr[RSIN_MAX];
```

```

double rsin_ph[RSIN_MAX];

/* **** resources **** */
#include "../function/random.hdr" /* containing 'rand_uniform()' */

/* **** function definitions **** */
void check_duser_rsin(double fmin, double fmax, int id) {
    if ((fmin <= 0.0) || (fmax <= 0.0) || (fmin > fmax)) {
        fprintf(stderr, "NAPA Run Time Error (rsin[%d])", id);
        fprintf(stderr, " inconsistent frequencies [%g, %g]\n", fmin, fmax);
        napa_exit(EXIT_FAILURE);
    }
    return;
}

void init_duser_rsin(double fmin, double fmax, int id) {
    reset_duser_rsin(fmin, fmax, id);
    return;
}

void reset_duser_rsin(double fmin, double fmax, int id) {
    rsin_fr[id] = uniform(fmin, fmax);
    rsin_ph[id] = uniform(0.0, _2PI_);
    return;
}

void close_duser_rsin(void) {
    return;
}

double duser_rsin(double ampl, int id) {
    return ampl * SIN((_2PI_ * rsin_fr[id] * TIME) + rsin_ph[id])
}

#endif /* ----- CONDITIONAL COMPILATION -END-- */

#endif /* ___RSIN_HDR___ */

```

Here is a netlist using this enhanced user-defined function, with the three possible syntaxes:

[file "ex12.nap"]

```

header <n Timer>
header "rsinb.hdr"

fs 1.0e6

node a duser rsin 1.0 100.0 1000.0 // frange = [100.0, 1000.0]
node b duser rsin 2.0 10000.0 // frange = [0.0, 10000.0]
node c duser rsin 3.0 // frange = [0.0, 500000.0]

output "stdout" a b c

terminate LOOP_INDEX > 1000LL

```

Of course, the pathname of the file "rsina.hdr" could be added to the index file "toolbox.hdr" as described earlier. The five functions must exist but could be empty. This mechanism provides a remarkable user-friendliness, as every possible scheme is realizable by sharing the process between initialization phase, main simulation loop and close-down phase.

Be careful to store in the reset function the data which must not be changed, in order to ignore any modifications during the simulation. Minimize the computations in the function itself by precomputing what you are able to do in the initialization and the reset functions.

The simulator written by the compiler has an **I/O manager** you can use to open and close files. In the *NAPA* package, you will find other resources (like a dynamic memory manager) to help you to build the simplest and most powerful functions possible. These resources are located in a sub-directory of the generic header file and are built to help the user.

HOW IT WORKS

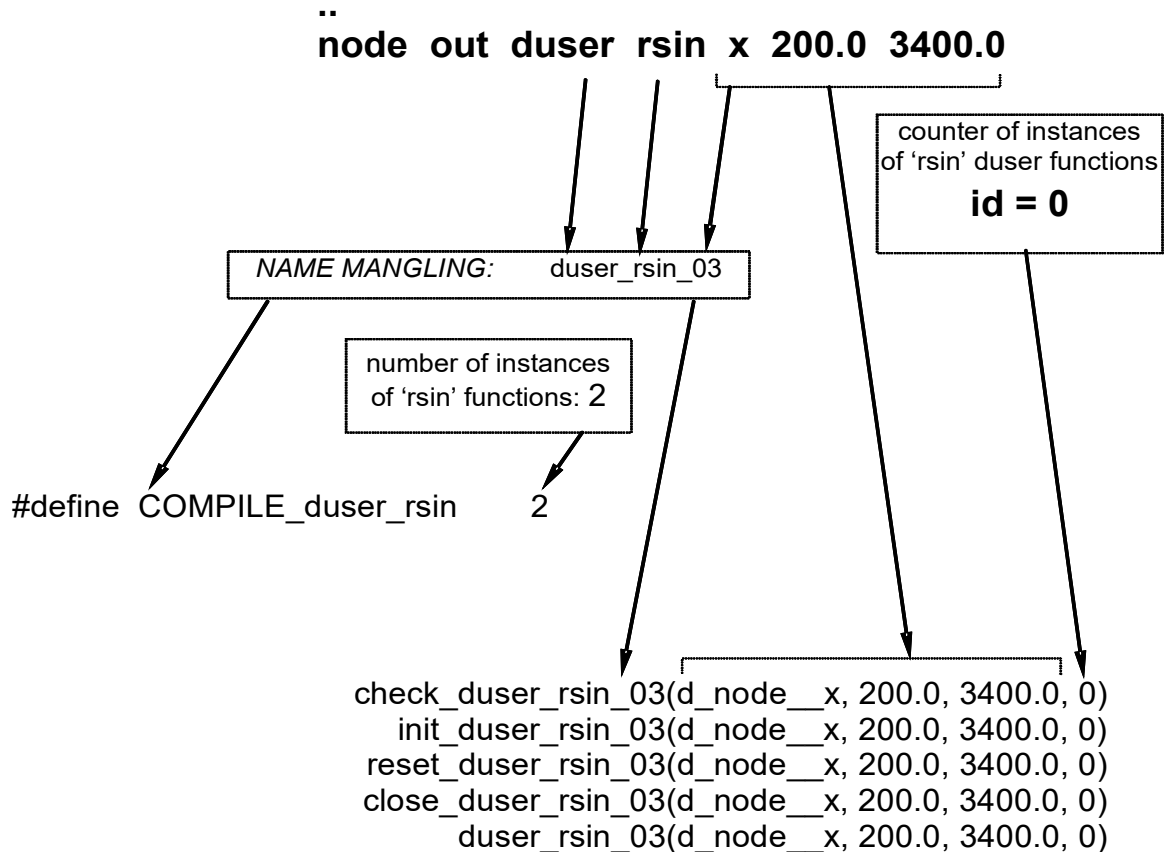


Figure 20 - Name mangling for a user-defined function "duser"

And here is the way the *NAPA* compiler places these lines of code:

```

                                                                    [file "simulator.c"]
..
void napa_init(void);
void napa_close(void);
..
#define COMPILE_duser_rsin 2
..
#include "/home/NAPA/hdr/napa.hdr"
#include "rsinb.hdr"

```



```

..
int main(void) {

    napa_init();
    napa_reset_variables();
    napa_reset_nodes();

    check_duser_rsin_03(d__node__x, 200.0, 3400.0, 0);
    check_duser_rsin_01(d__node__y, 1);
    init_duser_rsin_03(d__node__x, 200.0, 3400.0, 0);
    init_duser_rsin_01(d__node__y, 1);

    ..

    do {
        napa_time = ..;
        ..
        d__node__out = duser_rsin_03(d__node__x, 200.0, 3400.0, 0);
        d__node__s01 = duser_rsin_01(d__node__y, 1);
        ..
        napa_loop_index++;
    } while ( .. );

    close_duser_rsin_03(d__node__x, 200.0, 3400.0, 0);
    close_duser_rsin_01(d__node__y, 1);
    napa_close();
    return EXIT_SUCCESS;
}
..

```

Often, the user defined function includes macros to configure on the fly the behavior of the function. The NAPA compiler verifies that directives in the NAPA netlist are effectively used in the included headers. A warning is issued if the macro is not registered by the user. When such a macro is expected to be used as a directive in the NAPA netlist, it is therefore useful to register the macro as illustrated below:

[file "mysim.nap"]

```

header <napa.hdr>
header "somecode.hdr"

fs 1.0e6

directive DOTHIS      TRUE

...

terminate LOOP_INDEX > 1000LL

```

[file "somecode.hdr"]

```

#ifndef __SOMECODE_HDR__
#define __SOMECODE_HDR__

...
#define DOTHIS_IS_REGISTERED          /* to register directive DOTHIS */
...

```

```
#endif
```

ADVANCED USERS: OPTIONS

The way the macro definition corresponding to the instruction “*directive*” is placed shows how *NAPA* is capable to send messages to the macro-preprocessor to configure the *C* code for compilation. It is therefore possible to implement several variants of a user-defined function using proper macro definitions and macro-preprocessor switches. A value by default should always be provided, the user being able to configure the function through the use of instructions “*directive*”.

In some cases, we would like to define some options as text between parenthesis:

```
header <napa.hdr>
header `./function/sequence.hdr`

fs 1.0e6
node out iuser sequence -10 10 (shuffle) // user function with option
...
terminate LOOP_INDEX > 1000LL
```

This mechanism will be explained in a specific paragraph a few pages below

“dtool”, “itool” or “tool”

The tool is the most powerful primitive of *NAPA*. These nodes are intended to be used to implement the analysis tools necessary to the simulation and to take control of the simulation. The mechanism is based on the mechanism of the “*duser*” and “*iuser*” nodes with several additional features.

Please refer to the paragraph concerning the “*duser*” and “*iuser*” as these user’s tools are an extension of the concept.

The most significant characteristic of the tool is its ability to synchronize automatically with the other tools of the simulation.

Please note that instruction “tool” is an expansion and is equivalent to a node “itool” returning “void”.

WHEN?

If your function is used to analyze a result and not to produce a signal, use the nodes “*itool*” and “*dtool*”.

AN EXAMPLE

Here is an example of an “*itool*” printing the mean value of ‘num’ samples of a signal.

```

#ifndef __MEAN_HDR__
#define __MEAN_HDR__

/* ***** */

/*  USAGE:  node <no> itool mean <"filnam"> <ni> <norm> <num> */

/*  Where  <"filnam"> is the pathname of the output file */
/*          <ni>       is the identifier of the node to be analyzed */
/*          <norm>    is the reference level for the analysis of <ni> */
/*          <num>     is the number of points to analyze */
/*          <no>     is the number of single tasks already done */

/*  THIS TOOL IS SYNCHRONIZABLE. */

/* ** FUNCTION HEAD TRIMMING ***** */

#define check_itool_mean_04(a,b,c,d,e) check_itool_mean(      d,e)
#define reset_itool_mean_04(a,b,c,d,e) reset_itool_mean(    e)
#define init_itool_mean_04(a,b,c,d,e)  init_itool_mean(a,   c,#b,d,e)
#define close_itool_mean_04(a,b,c,d,e) close_itool_mean(a,  e)
#define          itool_mean_04(a,b,c,d,e)          itool_mean( b,c,  e)

/* ** PROTOTYPES ***** */

void check_itool_mean(                long, int);
void reset_itool_mean(                int);
void init_itool_mean(char*,           double, char*, long, int);
void close_itool_mean(char*,          int);
long          itool_mean(      double, double,          int);

void mean_compute_and_print(long, int);
void mean_function(int);

/* ** INCLUDE RESOURCES ***** */

#include "./resource/dm.h"                /* dynamic_memory_manager(..) */

/* ** MACRO CONSTANTS ***** */

#ifdef COMPILE_itool_mean                /* compilation control directive */

#undef MEAN_MAX
#define MEAN_MAX      COMPILE_itool_mean /* number of tools "mean" */

#ifdef MEAN_RMS
#define MEAN_RMS      YES                /*RMS or LINEAR MEAN */
#endif

/* ** GLOBAL VARIABLES ***** */

double *mean_in_array[MEAN_MAX];

long    mean_num[MEAN_MAX];              /* store counter */
long    mean_np[MEAN_MAX];              /* number of points */
FILE    *mean_fp[MEAN_MAX];             /* output file pointer */

/* ** TOOL DEFINITION ***** */

void check_itool_mean(long acc, int id) {
    if (acc < 2) {
        fprintf(stderr, "NAPA Run Time Error: (mean[%d])\n", id);
        fprintf(stderr, " A minimum of 2 points must be accumulated\n");
        napa_exit(EXIT_FAILURE);
    }
    return;
}

```

```

void reset_itool_mean(int id) {
    for (i = 0; i < mean_np[id]; i++) {
        mean_in_array[id][i] = 0.0;
    }
    return;
}

void init_itool_mean(char *fnam, double norm, char *nm, long acc, int id) {
    mean_np[id] = acc;          /* FIXED as memory is allocated accordingly */
    (void) DA_MANAGER(ALLOCATE, &(mean_in_array[id]), acc, "mean");
    (void) IO_MANAGER(OPENWRITE, &(mean_fp[id]), fnam, ".out", "mean");
    fprintf(mean_fp[id], "# %s\n", TITLE);
#ifdef MEAN_RMS == YES
    fprintf(mean_fp[id], "# (tool                ) RMS mean\n");
#else
    fprintf(mean_fp[id], "# (tool                ) mean\n");
#endif
    fprintf(mean_fp[id], "# (compiler version ) %s\n",    NAPA_VERSION);
    fprintf(mean_fp[id], "# (source file      ) %s\n",    SOURCE);
    fprintf(mean_fp[id], "# (random seed     ) %ld\n",    RANDOM_SEED);
    fprintf(mean_fp[id], "# (normalisation ) %s/%g\n", remove_prefix(nm), norm);
    fprintf(mean_fp[id], "# (number of samples) %ld\n",    acc);
    fprintf(mean_fp[id], "# (sampling frequency) %g Hz\n", FSL);
    fprintf(mean_fp[id], "# (sampling period ) %g Hz\n", 1.0 / FSL);
    fprintf(mean_fp[id], "# \n");
    fprintf(mean_fp[id], "# \n");          /* lines beginning by "# " are */
    fprintf(mean_fp[id], "# \n");          /* ignored by software such as */
    fprintf(mean_fp[id], "# \n");          /* GNUPLOT                       */
    fprintf(mean_fp[id], "# %s\n", CREATED);
    fprintf(mean_fp[id], "# packet mean_value");
#ifdef EXPORT
    fprintf(mean_fp[id], "%s", E_HEAD);
#endif
    fprintf(mean_fp[id], "\n");
    napa_msg->n = TOOL_WAIT;          /* initialize the tool state machine */
    return;
}

void close_itool_mean(char *fnam, int id) {
    (void) DA_MANAGER(FREE, &(mean_in_array[id]), mean_np[id], "mean");
    (void) IO_MANAGER(CLOSE, &(mean_fp[id]), fnam, ".out", "mean");
    return;
}

long itool_mean(double x, double norm, int id) {
    static long packet[MEAN_MAX];
    long *num;
    long *pak;
    double xr;

    num = &(mean_num[id]);
    pak = &(packet[id]);

    switch (napa_msg->n) {          /* status of the state machine */
    case TOOL_WAIT:
        if (napa_msg->i == FALSE) {          /* wait for start signal */
            break;
        }
        reset_itool_mean(id);
        *num = -NUM_INITIAL;
        /* countdown is starting */
        napa_msg->n = TOOL_COUNTDOWN;
    }
}

```

```

case TOOL_COUNTDOWN:
    if (*num < 0) {
        (*num)++;
        break;
    }
    napa_msg->n = TOOL_ACCUMUL;
    /* continue the countdown */
    /* data accumulation is starting */

case TOOL_ACCUMUL:
    xr = x / norm;
    mean_in_array[id][*num] = xr;
    (*num)++;
    if (*num < mean_np[id]) {
        break;
    }
    napa_msg->n = TOOL_COMPUTE;
    /* continue to accumulate data */
    /* analysis of data is starting */

case TOOL_COMPUTE:
    mean_compute_and_print(*pak, id);
    (*pak)++;
    napa_msg->i = FALSE;
    napa_msg->n = TOOL_WAIT;
    break;
    /* tool waiting for start signal */
}

napa_msg->o = *pak;
return napa_msg->o;
}

void mean_compute_and_print(long packet, int id) {
    double m;
    m = mean_function(id);
    fprintf(mean_fp[id], " %3ld % 14e ", packet, m);
#ifdef EXPORT
    fprintf(mean_fp[id], E_FORMAT, E_LIST);
#endif
    fprintf(mean_fp[id], " \n");
    return;
}

double mean_function(int id) {
    double s, mval;
    long i;
    s = 0.0;
#ifdef MEAN_RMS == YES
    for (i = 0; i < mean_np[id]; i++) {
        s += mean_in_array[id][i] * mean_in_array[id][i];
    }
    mval = sqrt(s / mean_np[id]);
#else
    for (i = 0; i < mean_np[id]; i++) {
        s += mean_in_array[id][i];
    }
    mval = s / mean_np[id];
#endif
    return mval;
}

#endif
/* COMPILER_itool_mean */
/* ***** */

```

```
#endif /* __MEAN_HDR__ */
```

Here is an example of a netlist using this user-defined primitive, supposing that the pathname of the header file is properly placed in the index file "toolbox.hdr":

[file "ex13.nap"]

```
header <napa.hdr>
header <toolbox.hdr>

fs 1.0e6

dvar  ampl  logswEEP(TOOL_INDEX, 0.1, 10, 11)  &update

node  a      triangle 0.0 ampl 1234.0 0.0
node  void   itool  mean "stdout" a 1.0 10000

terminate  TOOL_INDEX > 10
```

or simply

```
header <napa.hdr>
header <toolbox.hdr>

fs 1.0e6

dvar  ampl  logswEEP(TOOL_INDEX, 0.1, 10, 11)  &update

node  a      triangle 0.0 ampl 1234.0 0.0
tool  mean   "stdout" a 1.0 10000

terminate  TOOL_INDEX > 10
```

HOW IT WORKS

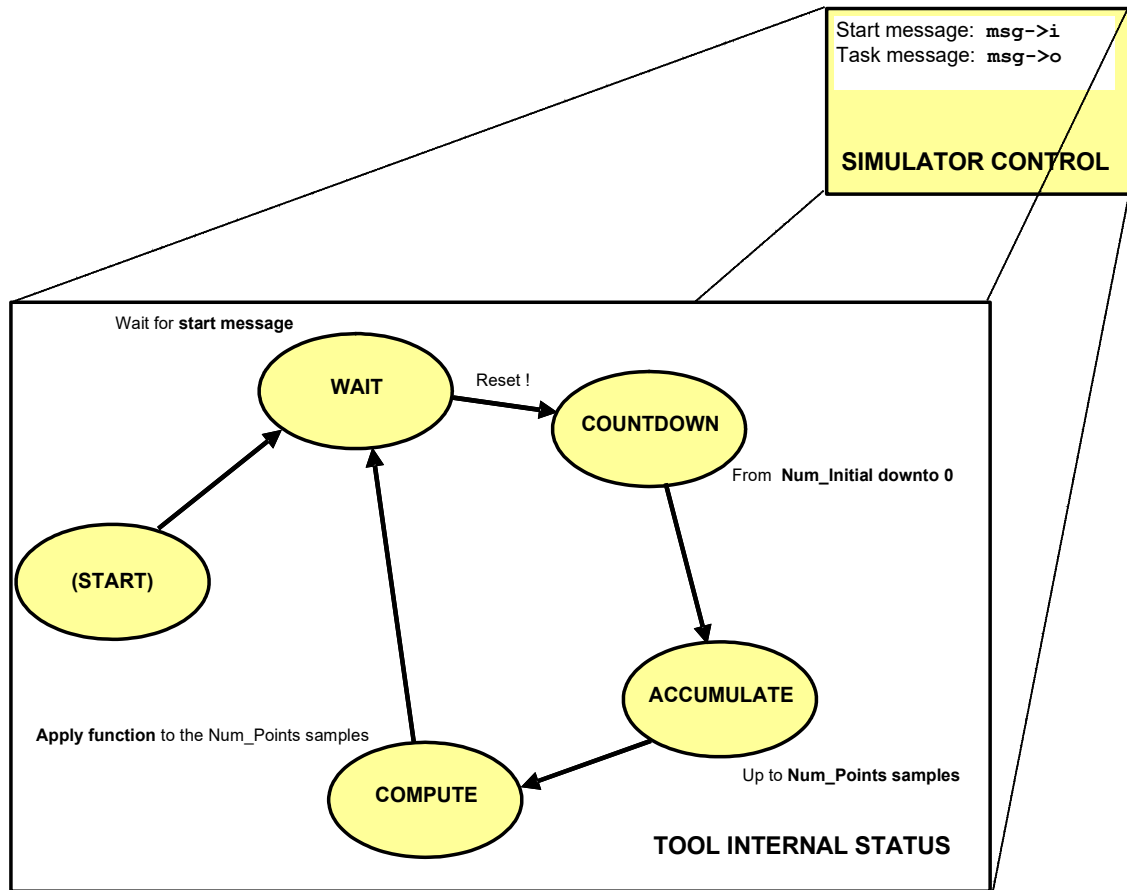


Figure 21 - The synchronization mechanism of a tool

- DURING THE WAIT STATE,**
 the tool is waiting for an authorization to start. He is doing nothing. Its answer through the task message is the number identifying the completion of the previous task. The tool quits this state as soon as the start message is set to 'TRUE'. The simulator is allowed to set this start message to 'TRUE' but has no way to reset it down. When quitting this state, this the right moment to reset the internal array corresponding to the tool instantiation.
- DURING THE COUNTDOWN STATE,**
 the tool start the sampling counter with negative value (- Num_Initial) corresponding to the number of samples it is instructed to wait by the simulator. This is to allow the system to be possibly in a steady-state mode (instruction "*num_initial*" weighted by the ratio between the local sampling frequency and the sampling frequency given by instruction "*fs*"). During this state, the tool increments the sampling counter. Its answer through the task message is the number identifying the completion of the previous task. The tool quits this state as soon as the sampling counter equals 0.
- DURING THE ACCUMULATE STATE,**
 the tool stores the current value of the input signal inside an internal array particular for each instantiation of the tool. It increments the sampling counter accordingly. Its answer through the task message is the number identifying the completion of the previous task. The tool quits this state as soon as the number of stored samples reaches the 'Num_Points' samples requested by the simulator.
- DURING THE COMPUTE STATE,**
 the tool performs the analysis on the array of samples accumulated during the previous state. The results are output in the output file with the proper format. The answer of the tool through the task message is the number identifying the completion of the current task. The tool quits this state immediately by resetting down the start message.

Corresponding to the answer by the task message, the tool returns a value to the node which is equal to the number corresponding to the last task which is completed.

The simulator insures the synchronization. The simulator manages a **mailbox** with a pointer 'napa_msg' for each instantiation of a tool. In this mailbox, there are two messages: a **start message** 'napa_msg->i' and a **task message** 'napa_msg->o' and other useful informations (node name 'napa_msg->u', tool name 'napa_msg->n', segment 'napa_msg->s', mailbox id 'napa_msg->m' and user-defined integer 'napa_msg->n' and a few pointers left to users).

The mailbox is a structure defined as:

```
..
typedef struct {
char      u[8192];          /* node name    */
char      t[32];           /* tool name    */
long      m;               /* mailbox ID   */
long      s;               /* segment ID   */
long      i;               /* message in   */
long      o;               /* message out  */
long      n;               /* left to user */
int       *store_i;        /* left to user */
long long *store_l;        /* left to user */
double    *store_d;        /* left to user */
char      **store_s;       /* left to user */
} MAILBOX_RECORD;
..
MAILBOX_RECORD *napa_msg;
..
```

At each main loop period, the simulator checks the answer from the various tools. If at least one tool does not return the answer corresponding to the task to be completed, the simulator lets the tools running. As soon as all the tools return an answer corresponding to the task to be completed, the simulator increments its task counter 'TOOL_INDEX' and sets all the start messages in the mailbox to 'TRUE'. All the tools are therefore requested to start synchronously.

There are therefore two kinds of output from a tool:

- an **explicit** output corresponding to the output value of the node
- an **implicit** output through the mailbox (napa_msg->o)

We have seen that the answer through the mailbox controls the value of 'TOOL_INDEX'. This index is the preferred way to know the status of the entire set of tools. This is the recommended index to test for the termination of the simulation. In some cases, we could be interested by the status of a particular tool; in this case, the output of the node provides the requested information.

It is interesting to note that this synchronization mechanism is not mandatory. It is possible to write tools like any other user-defined functions "*duser*" or "*iuser*". Of course this kind of tool will ignore the synchronization messages and will run at its own pace. In order to not disturb the other tools, a small trick is used: the simulator writes in the task message of the tool mailbox the answer corresponding to the completion of the **current** task just before the function call. A tool with a synchronization mechanism will immediately reset the message to the previous task number if its task is not completed, warning the simulator that the task is not completed. The tool without the synchronization mechanism will fail to answer, leaving a task message meaning '*my task is completed*'. Therefore this tool will not disturb the functionality of the simulator nor the synchronization of the other tools!

The tool described here is a very general type. Other tools could not accumulate data or could perform a computation at each sample period. The user could take the previous description as example or could dig in the generic header library for other examples.

The mailbox is built and managed automatically. Its internal structure contain four 'int' numbers: one for the input message ('FALSE' or 'TRUE'), one for the output message (containing the value of the last packet of data

completely processed), one containing the mailbox number, and the last one containing the number of the segment containing the tool. These two last informations are useful to write complex tools.

ADVANCED USERS

Have a look on the code of the example. To simplify the code, several **RESOURCE MANAGERS** are called. You are encouraged to use them. It is particularly important to detect generic task and write the corresponding resource manager for it.

One resources manager is built-in the ANSI-C code produced by the *NAPA* compiler. This is the resources manager of the IO streams: '**IO_MANAGER(...)**'. Another one is built only when pointers of arrays are defined in the *NAPA* user's netlist.

Other resources managers are located in the generic header library to help the writing of user's header files. It is highly recommended to use them. In some situations these resource managers can speed up the simulation: the '**SC_MANAGER(...)**' is capable to initialize the sine and cosine tables of the FFT and window functions, using the shortest way for the computations and offering already built table to tools when it is possible.

“post”

This instruction extends the capability of the tools, allowing postprocessing the output files of tools (and time domain output from instruction 'output').

In some cases, we would like to define some options as string. It is important that we avoid collision of identifiers between these options and nodes or variables. The same mechanism as described in “duser” paragraph is available.

WHEN?

When an output file must be postprocessed.

AN EXAMPLE

[file “analyze.hdr”]

```
#ifndef __ANALYZE_HDR__
#define __ANALYZE_HDR__

/* ***** */
/*  USAGE:  post analyze <filnam> <col> */
/*  Where  <"filnam"> is the pathname of the output file */
/*         <col>      is the column number to postprocess */
/* ** FUNCTION HEAD TRIMMING ***** */
#define prepare_post_analyze_02(a,b,c,d,e)  prepare_post_analyze(a,b, e)
#define execute_post_analyze_02(a,b,c,d,e)  execute_post_analyze( b,c,d,e)
/* ** PROTOTYPES ***** */
```

```

void prepare_post_analyze(char*,          int, int);
void execute_post_analyze(      char*, char*, int, int);

void analyze_read_file(char*, double*, int, int);
void analyze_compute(double*, double*, double*, double*, int);
void analyze_print(char*, double, double, double, int);

/* ** MACRO CONSTANTS ***** */

#ifdef COMPILER_post_analyze          /* compilation control directive */
#undef ANALYZE_MAX
#define ANALYZE_MAX COMPILER_post_analyze          /*
/* ** GLOBAL VARIABLES ***** */
/* ** TOOL DEFINITION ***** */

void prepare_post_analyze(char *tool, int column, int id) {
    if (column < 1) {
        fprintf(stderr, "NAPA Run Time Error: (analyze[%d] of %s)\n", id, tool);
        fprintf(stderr, " column number must be larger than 0\n");
        napa_exit(EXIT_FAILURE);
    }
    return;
}

void execute_post_analyze(char *filin, char *filout, int column, int id) {
    double *array;
    double number, mean, sigma;
    analyze_read_file(filin, array, column, id);
    analyze_compute(array, &number, &mean, &sigma, id);
    analyze_print(filout, number, mean, sigma, id)
    return;
}

void analyze_read_file(char *fi, double *a, int c, int id) {
    ...
    return;
}

void analyze_compute(double *a, double *n, double *m, double *s, int id) {
    ...
    return;
}

void analyze_print(char *fo, double n, double m, double s, int id) {
    ...
    return;
}

#endif          /* COMPILER_post_analyze */

/* ***** */
#endif          /* __ANALYZE_HDR__ */

```

In the simulator, the first function ‘prepare_post_analyze_02’ is placed after the initialization of the tools. The second function ‘execute_post_analyze_02’ is placed after the close of the tools.

Please note that *NAPA* places automatically the parameters corresponding to the file to process and to the ID number.

Here is an example of a netlist using this postprocessing function, supposing that the pathnames of the header files are properly placed in the index file “toolbox.hdr”:

[file "ex29.nap"]

```
header <napa.hdr>
header <toolbox.hdr>

fs 1.0e6

node a noise 0.0 0.1
node b sin 0.0 1.0 1234.0 0.0
node s sum a b

tool      tsnr      "tsnr.out"  s 1.0 5000.0 10000
post      analyze   "stat0.out"  3

output "signal.out" s a b
post     analyze   "stat1.out"  1
post     analyze   "stat2.out"  2
post     analyze   "stat3.out"  3

terminate  TOOL_INDEX > 100
```

HOW IT WORKS

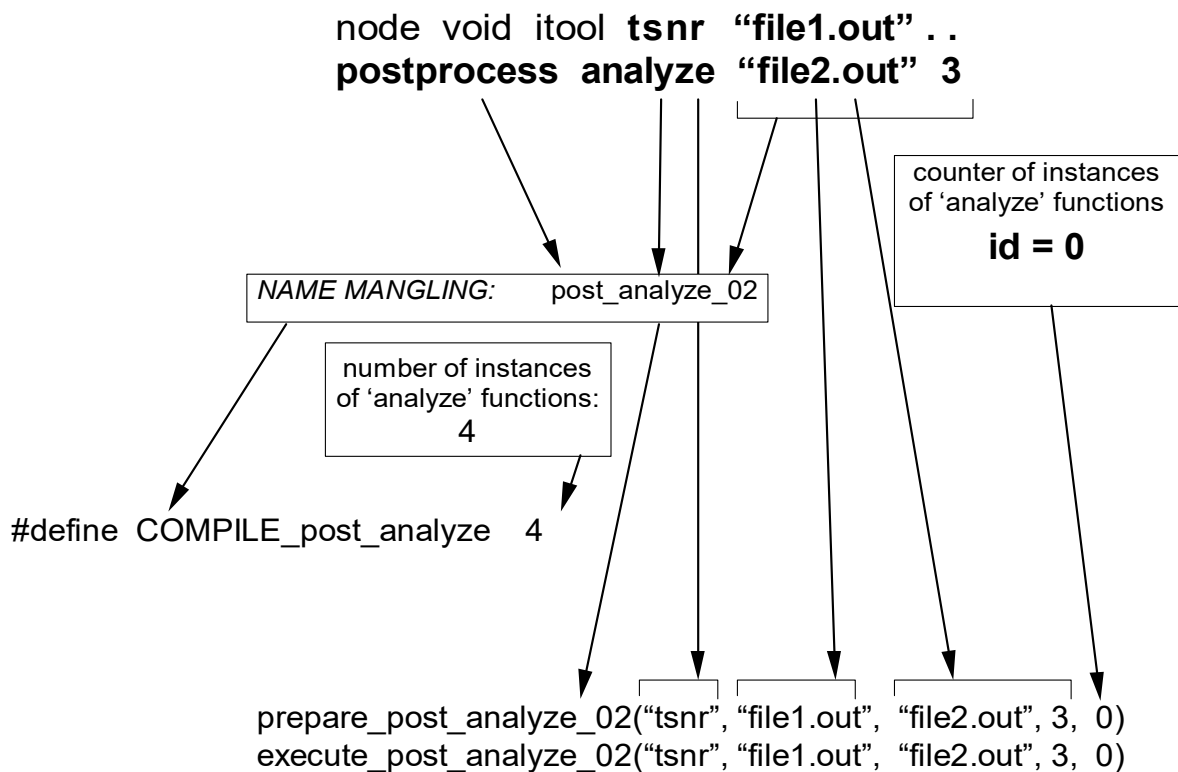


Figure 22 - Name mangling for a postprocessing function

ADVANCED USERS

Postprocessors can be used alone to process the output files of a previous *NAPA* simulation. The instruction 'void' is used to set the starting file.

```
header <napa.hdr>
header <toolbox.hdr>

void "file.out"
post  analyze "stat.out" 3 // analyze the file "file.out"

terminate
```



Options

(<option>)

WHEN?

In a user-defined function, a user-defined tool or a post-processing function as an optional parameter

AN EXAMPLE

There is the possibility to define options for the node “*duser*”, “*iuser*”, “*dtool*” and “*itool*” and for the instruction “*post*”. The *NAPA* compiler builds automatically appropriate macro functions which contain all the mechanisms to query the existence of an option for an instantiation of such functions. The writer of a user function may call the macro functions ‘ISOPTION()’ and/or ‘ISNOTOPTION()’ like in this example where itool “wonder” has 2 options: (do) and (do_not):

[file “myfile.nap”]

```
...
tool wonder "fila.out" s1 1.0 2500.0 (do)
...
tool wonder "filb.out" s4 1.0 5000.0
...
```

The user defined tool:

[file “wonder.hdr”]

```
...

int wonder_opt[WONDERMAX];          /* options of itool 'wonder' */

...

void check_itool_wonder(... , int id) {
    ...
    if (ISOPTION("itool_wonder",id, "do"      )) {
        itool_wonder_opt[id] = 1;
    } else if (ISOPTION("itool_wonder",id, "don't" )) {
        itool_wonder_opt[id] = 0;
    } else {
        itool_wonder_opt[id] = 0;          /* default is (do_not) */
    }
    if (ISNOTOPTION("itool_wonder",id)) {
        fprintf(stderr, "\nNAPA Run Time Error: (wonder[%d])\n", id);
        fprintf(stderr, " Option is not valid\n");
        fprintf(stderr, " Valid keywords are: (do), (do_not)\n\n");
    }
}
```

```

    napa_exit(EXIT_FAILURE);
}
...
return;
}
...

```

HOW IT WORKS

The *NAPA* compiler writes an “ad hoc” function “`napa_check_for_option()`” including options, functions and instances from the *NAPA* netlist, with the corresponding macro function 'ISOPTION()':

```

...
#define ISOPTION(fun,id,opt)  napa_check_for_option(fun,id,opt)
...
int napa_check_for_option(char* fun, int id, char* opt) {
    int n;
    int o = -1;
    int f = -1;
    int num_of_o = 2;
    int num_of_f = 3;
    int num_of_i = 2;
    char lst_of_o[2][32] = {"periodic", "do"};
    char lst_of_f[3][32] = {"duser_pwl", "itool_wonder", "duser_fm"};
    static int table[3][2][2] =
        {{{1, 0}, {1, 0}},
         {{0, 0}, {0, 0}},
         {{0, 1}, {0, 0}}};
    for (n = 0; n < num_of_f; n++) {
        if (!strcmp(fun, lst_of_f[n], 31)) {
            f = n;
            break;
        }
    }
    if ((id < 0) || (id >= num_of_i) || (f == -1)) {
        return FALSE;
    }
    if (!strcmp(opt, "another", 31)) {
        for (n = 0; n < num_of_o; n++) {
            if (table[f][id][n] == 1) {
                return TRUE;
            }
        }
        return FALSE;
    }
    for (n = 0; n < num_of_o; n++) {
        if (!strcmp(opt, lst_of_o[n], 31)) {
            o = n;
            break;
        }
    }
    if (o == -1) {
        return FALSE;
    }
}

```

```
if (table[f][id][o] == 1) {
    table[f][id][o] = 0;
    return TRUE;
}
return FALSE;
}
...
```

This function is called by the user's function or tool or the postprocess function like in this example:

```
option = ISOPTION("itool_wonder", 0, "do");
```

will return TRUE at the first call. This function is built to return a FALSE afterwards. At the end of the option identification, it is recommended to call

```
error = ISNOTOPTION("itool_wonder", 0);
```

to check for any spurious option.

The function "napa_check_function()" will be simplified by the **NAPA** compiler if it makes sense, and could be as simple as:

```
...
int napa_check_for_option(char* fun, int id, char* opt) {
    return FALSE;
}
...
```

if no user function, tool or postprocess function has any option in the *NAPA* netlist.



Multiple Output User's Functions

WHEN?

Sometimes, a user's function (duser, iuser, dtool or itool) should have multiple outputs. The *NAPA* node is by construction a single output structure. It is nevertheless quite simple to write a user's function with multiple outputs.

A first function call triggers the computation of all outputs. This function stores all the results in global variables but output its id value as a tag. This tag is then used as entry for other function call corresponding to specified output.

AN EXAMPLE

[file "sun.nap"]

```
...
header  "./sun.hdr"
...
/*      geolocation for the town of Nice
dvar  latitude   43.70
dvar  longitude  -7.25
dvar  timezone   1

/*      computation of the position of the sun
node  nice      duser sun  latitude longitude  2009 APRIL 1  13.0 timezone
node  az        duser sun  nice   (azimuth)
node  alt       duser sun  nice   (altitude)
node  sunset    duser sun  nice   (sunset)
...
```

[file "sun.hdr"]

```
#ifndef __SUN_HDR__

/* ***** */

/** USAGE      compute position of the sun as a function of etc ... etc ... */

/* ***** */

#define check_duser_sun_08(a,b,c,d,e,f,g,h) check_duser_sun(a,b,c,d,e,f,g,h)
#define init_duser_sun_08(a,b,c,d,e,f,g,h)  init_duser_sun(a,b,c,d,e,f,g,h)
#define reset_duser_sun_08(a,b,c,d,e,f,g,h) reset_duser_sun(a,b,c,d,e,f,g,h)
```



```

#define duser_sun_08(a,b,c,d,e,f,g,h)      duser_sun(a,b,c,d,e,f,g,h)
#define close_duser_sun_08(a,b,c,d,e,f,g,h) close_duser_sun(a,b,c,d,e,f,g,h)

#define check_duser_sun_01(a,b)           check_duser_extract_sun(a,b)
#define init_duser_sun_01(a,b)           init_duser_extract_sun(a,b)
#define reset_duser_sun_01(a,b)          reset_duser_extract_sun(a,b)
#define duser_sun_01(a,b)                duser_extract_sun(a,b)
#define close_duser_sun_01(a,b)          close_duser_extract_sun(a,b)

/* *** PROTOTYPES **** */

void check_duser_sun(double,double,long,long,long,double,long,int);
void init_duser_sun(double,double,long,long,long,double,long,int);
void reset_duser_sun(double,double,long,long,long,double,long,int);
double duser_sun(double,double,long,long,long,double,long,int);
void close_duser_sun(double,double,long,long,long,double,long,int);

void check_duser_extract_sun(double,int);
void init_duser_extract_sun(double,int);
void reset_duser_extract_sun(double,int);
double duser_extract_sun(double,int);
void close_duser_extract_sun(double,int);

/* **** */

#ifdef COMPILE_duser_sun

#undef SUN_MAX
#define SUN_MAX COMPILE_duser_sun

double sun_azimuth[SUN_MAX];
double sun_altitude[SUN_MAX];
double sun_sunrise[SUN_MAX];
double sun_sunset[SUN_MAX];
double sun_day_length[SUN_MAX];
int sun_opt[SUN_MAX];

/* **** */

void check_duser_sun(..., long timezone, int id) {
    ...
    if (ISNOTOPTION("duser_sun",id)) {
        fprintf(stderr, "\nNAPA Run Time Error: (sun[%d])\n", id);
        fprintf(stderr, " Option is not valid\n\n");
        napa_exit(EXIT_FAILURE);
    }
    ...
    return;
}

void init_duser_sun(..., long timezone, int id) {
    ...
    return;
}

```

```

void reset_duser_sun(..., long timezone, int id) {
    ...
    return;
}

double duser_sun(..., long timezone, int id) {
    ...
    sun_azimuth[id] = ...; /* compute and load global variables */
    sun_altitude[id] = ...;
    sun_sunset[id] = ...;
    sun_sunrise[id] = ...;
    sun_day_length[id] = ...;
    return (double) id; /* returns id as tag for other function calls */
}

void close_duser_sun(..., long timezone, int id) {
    return;
}

/* ***** */

void check_duser_extract_sun(double tag, int id) {
    if (ISOPTION("duser_sun", id, "azimuth")) {
        sun_opt[id] = 0;
    } else if (ISOPTION("duser_sun", id, "altitude")) {
        sun_opt[id] = 1;
    } else if (ISOPTION("duser_sun", id, "sunset")) {
        sun_opt[id] = 2;
    } else if (ISOPTION("duser_sun", id, "sunrise")) {
        sun_opt[id] = 3;
    } else if (ISOPTION("duser_sun", id, "day_length")) {
        sun_opt[id] = 4;
    } else {
        sun_opt[id] = 4; /* default output */
    }
    if (ISNOTOPTION("duser_sun", id)) {
        fprintf(stderr, "\nNAPA Run Time Error: (sun[%d])\n", id);
        fprintf(stderr, " Option is not valid\n\n");
        napa_exit(EXIT_FAILURE);
    }
    ...
    return;
}

void init_duser_extract_sun(double tag, int id) {
    return;
}

void reset_duser_extract_sun(double tag, int id) {
    return;
}

double duser_extract_sun(double tag, int id) {
    double out;
    long itag;
    itag = (long) tag;
    if ((itag < 0) || (itag >= SUN_MAX)) {
        fprintf(stderr, "\nNAPA Run Time Error: (sun[%d])\n", id);
        fprintf(stderr, " tag <%ld> overflow\n\n", itag);
    }
}

```

```

    napa_exit(EXIT_FAILURE);
}
switch (sun_opt[itag]) {
case 0:
    out = sun_azimuth[itag];
    break;
case 1:
    out = sun_altitude[itag];
    break;
case 2:
    out = sun_sunrise[itag];
    break;
case 3:
    out = sun_sunset[itag];
    break;
case 4:
    out = sun_daytime[itag];
    break;
}
return out;
}

void close_duser_extract_sun(double tag, int id) {
    return;
}

#endif

/* ***** */
#endif                                     /* __ SUN_HDR __ */

```

HOW IT WORKS

The output of the first function call ('tag' in the example below) has a double effect. First, being used in further function calls as input, it forces the *NAPA* compiler to place these functions calls after the first one. Second, it indicates the address of the storage area. In this example this is the ID of the first function call.

NAPA source:

```

...
node tag duser sun lat lon 2009 APRIL 1 13.0 tz
node az duser sun tag (azimuth) // refers to 1st function call
node alt duser sun tag (altitude) // idem
...

```

Corresponding *C* code:

```

...
d_node_tag = duser_sun_08(d_var_lat,d_var_lon,2009,APRIL,1,13,0,d_var_tz, 3);
d_node_az = duser_sun_01(d_node_tag, 4);
d_node_al = duser_sun_01(d_node_tag, 5);
...

```

Value of 'd_node_tag', according to code described above in file "sun.hdr", is the value of the ID of the first function call, i.e. 3. Second and third function calls are now able to get the data previously stored by first call by using this ID.



Passing Parameters by Addresses

Virtually all parameters of the *NAPA* netlist are passed by values to the internal *C* functions. In some cases, when you have to pass numerous parameters, or if you want to pass a variable number of these parameters, it is interesting to pass them by addresses.

NAPA provides a way to do it, but only for sets of *NAPA* variables ganged in an array of pointers. See instruction 'ganging' in the *NAPA* User's Guide.

WHEN?

In a user-defined function, a user-defined tool or a post-processing function.

AN EXAMPLE

[[file "example.nap"]]

```
header <napa.hdr>
header <toolbox.hdr>
header <lpfilter.hdr>

fs      1.0e6

dvar   r1   normal(1.0e3, 12.3)
dvar   r2   normal(0.5e3,  4.7)
dvar   c0   110.0e-9

string nam1  "proto1"
string nam2  "proto2"

event  newjob  (new) TOOL_INDEX

update r1   when newjob
update r2   when new)job

ganging  tau1[3]  nam1 r1 c0           // gang 3 variables
ganging  tau2[5]  nam2 r1 c0 r2 c0    // gang 5 variables

node in   noise  0.0 1.0
node out1 duser  lpfilter tau1 in     // passing array tau1[]
node out2 duser  lpfilter tau2 in     // passing array tau2[]

tool  tf  "tf1.out"  in 1.0  out1 1.0  100000
tool  tf  "tf2.out"  in 1.0  out2 1.0  100000

directive NTF  25

terminate TOOL_INDEX >= 10
```

The user-defined function of this example should be defined to receive these arrays of pointers (see below the description of the type `DATA_RECORD`).

Using the `C` operator `'&'`, the user-defined function has access to the parameters ganged in the arrays of pointers (see instruction `'ganging'`). As these parameters are passed by addresses, it is possible to access to the updated values of the *NAPA* variables.

There is a severe risk if the user-defined function reassigns values to these parameters. It could cause dramatic errors in the simulation! Use these reassignments with extreme care.

HOW IT WORKS

The *NAPA* compiler defines a generic structure `'DATA_RECORD'` in the `C` simulator:

```
..
typedef struct {
    char *name;           /* containing the name of the array */
    int  length;         /* containing the size of the vectors */
    int  nrow;           /* number of rows */
    int  ncol;           /* number of columns */
    C_TYPE **s_ptr;      /* pointing to array of names of parms */
    I_TYPE **i_ptr;      /* pointing to NULL by default */
    R_TYPE **d_ptr;      /* pointing to NULL by default */
    C_TYPE **c_ptr;      /* pointing to NULL by default */
    X_TYPE **x_ptr;      /* pointing to NULL by default */
} DATA_RECORD;
..
```

and declares structures corresponding to the array of pointers:

```
..
DATA_RECORD record_tau1;
DATA_RECORD record_tau2;
..
```

In the `C` simulator, there is an appropriate ad-hoc dynamic allocation of the tables, followed by the definition of a few parameters and the setting of pointers:

```
static char tau1[3][64] = {"nam1", "r1", "c0"};
static char tau2[5][64] = {"nam1", "r1", "c0", "r2", "c0"};
..
record_tau1.length = 3;
record_tau1.nrow = 1;
record_tau1.ncol = 3;
strcpy(record_tau1.name, "tau1");
```



```
record_tau1.s_ptr[0] = tau1[0];
record_tau1.c_ptr[0] = s_var_nam1;
record_tau1.s_ptr[1] = tau1[1];
record_tau1.d_ptr[1] = &d_var_r1;
record_tau1.s_ptr[2] = tau1[2];
record_tau1.d_ptr[2] = &d_var_c0;

record_tau2.length = 5;
record_tau1.nrow = 1;
record_tau1.ncol = 5;
strcpy(record_tau2.name, "tau2");
record_tau2.s_ptr[0] = tau2[0];
record_tau2.c_ptr[0] = s_var_nam2;
record_tau2.s_ptr[1] = tau2[1];
record_tau2.d_ptr[1] = &d_var_r1;
record_tau2.s_ptr[2] = tau2[2];
record_tau2.d_ptr[2] = &d_var_c0;
record_tau2.s_ptr[3] = tau2[3];
record_tau2.d_ptr[3] = &d_var_r2;
record_tau2.s_ptr[4] = tau2[4];
record_tau2.d_ptr[4] = &d_var_c0;
..
```

As in the C simulator, the pointers are set to NULL by default, the pointers which are not assigned are still pointing to NULL. This is providing a simple and reliable way to test the type of variables passed through the array of pointers.

Here, the structure corresponding to "tau1[]" is defined as:

ganging

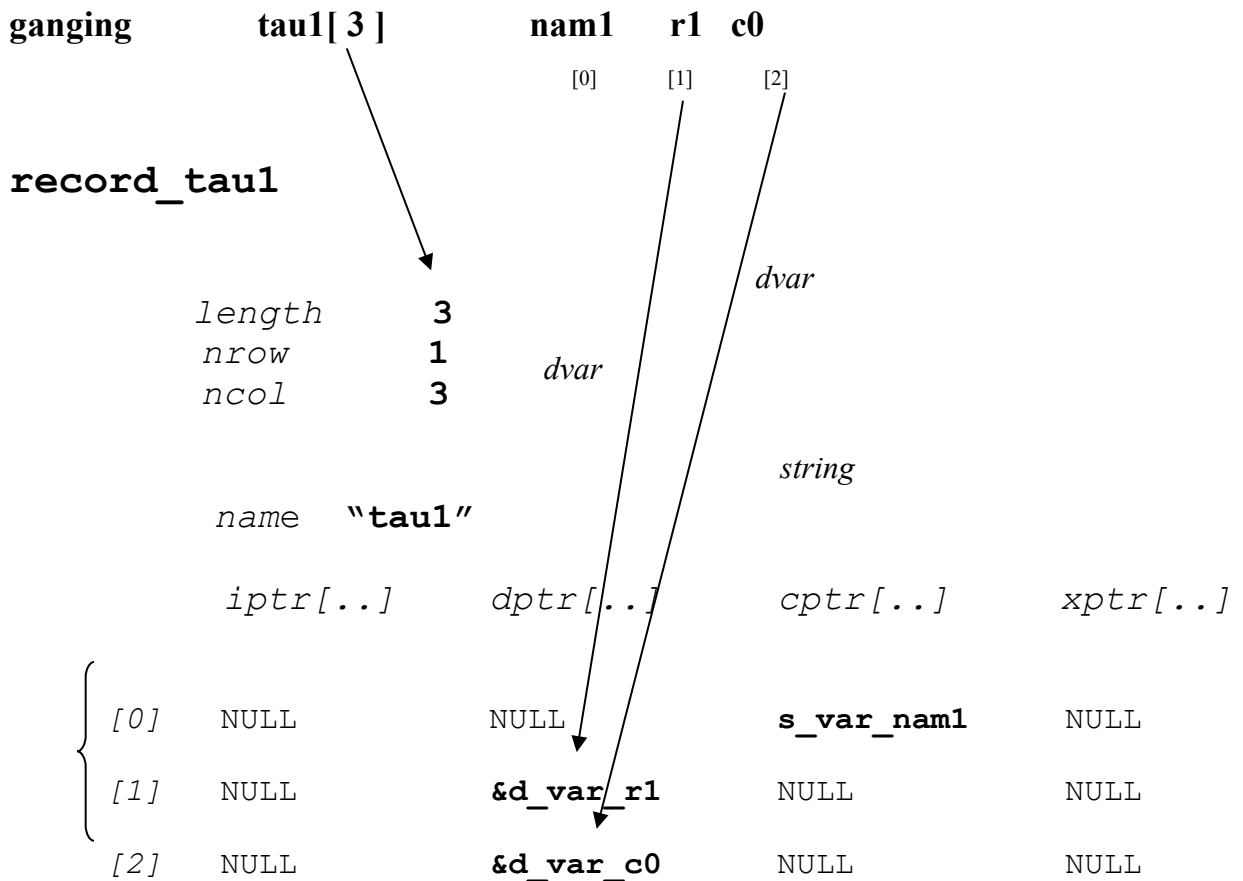


Figure 23 - How NAPA variables are passed by addresses

Conclusion

NAPA is more than a compiler or a simulator. This is an evolving methodology to simulate more and more complex mixed signal netlists. Each IC we are designing brings new simulation challenges and new solutions. Each time *NAPA* integrates the new ideas we have developed for the profit of its users.

We welcome your feedback.

E-mail Yves.Leduc@polytech.unice.fr